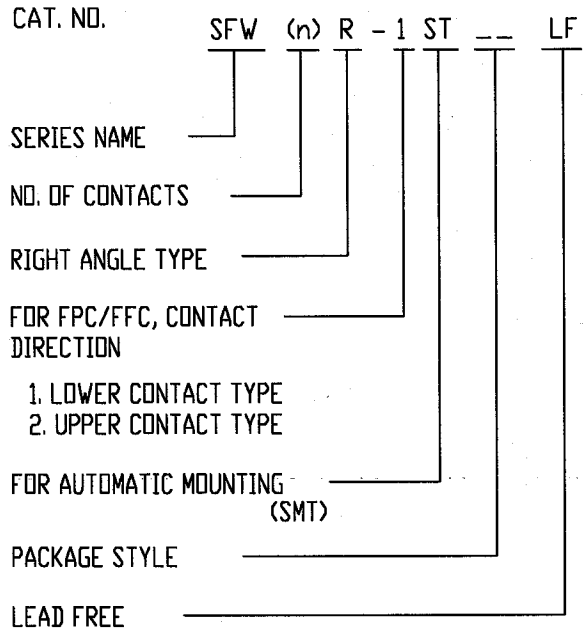


REVISIONS				
REV	DESCRIPTION	ECN	BY	DATE
AA	Changed Cat.No	J05-0055	H.T	2/4/05

CAT. NO. & DIMENSIONS

NO. OF CONTACTS (n)	CAT. NO.	DIMENSIONS (NOTE2)			
		A ± 0.2	B ± 0.2	C ± 0.2	D ± 0.1
4	SFW4R-1/2ST__LF	9.8	8.6	3.0	5.3
5	SFW5R-1/2ST__LF	10.8	9.6	4.0	6.3
6	SFW6R-1/2ST__LF	11.8	10.6	5.0	7.3
7	SFW7R-1/2ST__LF	12.8	11.6	6.0	8.3
8	SFW8R-1/2ST__LF	13.8	12.6	7.0	9.3
9	SFW9R-1/2ST__LF	14.8	13.6	8.0	10.3
10	SFW10R-1/2ST__LF	15.8	14.6	9.0	11.3
11	SFW11R-1/2ST__LF	16.8	15.6	10.0	12.3
12	SFW12R-1/2ST__LF	17.8	16.6	11.0	13.3
13	SFW13R-1/2ST__LF	18.8	17.6	12.0	14.3
14	SFW14R-1/2ST__LF	19.8	18.6	13.0	15.3
15	SFW15R-1/2ST__LF	20.8	19.6	14.0	16.3
16	SFW16R-1/2ST__LF	21.8	20.6	15.0	17.3
17	SFW17R-1/2ST__LF	22.8	21.6	16.0	18.3
18	SFW18R-1/2ST__LF	23.8	22.6	17.0	19.3
19	SFW19R-1/2ST__LF	24.8	23.6	18.0	20.3
20	SFW20R-1/2ST__LF	25.8	24.6	19.0	21.3
21	SFW21R-1/2ST__LF	26.8	25.6	20.0	22.3
22	SFW22R-1/2ST__LF	27.8	26.6	21.0	23.3
23	SFW23R-1/2ST__LF	28.8	27.6	22.0	24.3
24	SFW24R-1/2ST__LF	29.8	28.6	23.0	25.3
25	SFW25R-1/2ST__LF	30.8	29.6	24.0	26.3
26	SFW26R-1/2ST__LF	31.8	30.6	25.0	27.3
27	SFW27R-1/2ST__LF	32.8	31.6	26.0	28.3
28	SFW28R-1/2ST__LF	33.8	32.6	27.0	29.3
29	SFW29R-1/2ST__LF	34.8	33.6	28.0	30.3
30	SFW30R-1/2ST__LF	35.8	34.6	29.0	31.3

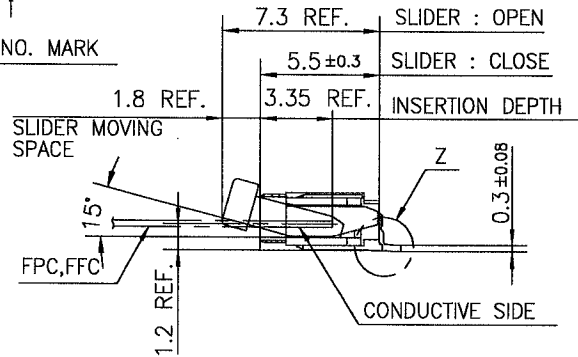
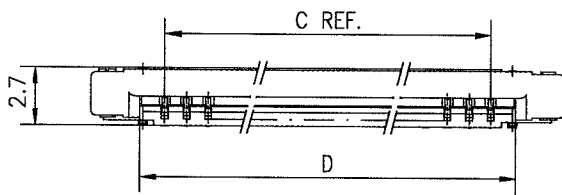
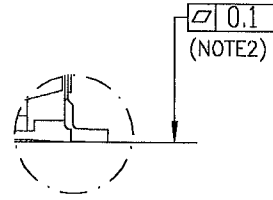
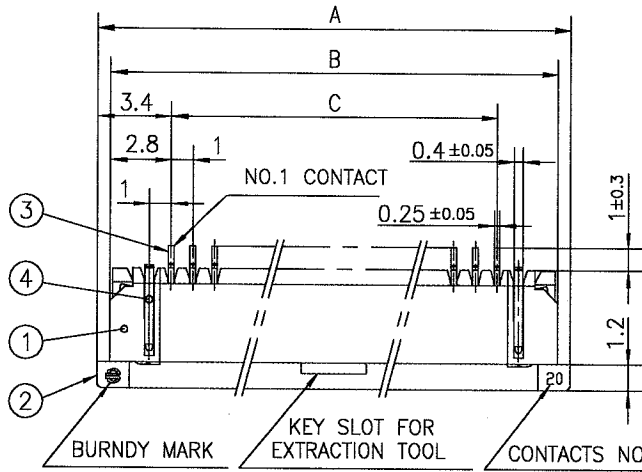


NOTES

1. THIS PRODUCT IS THE CONNECTOR USED FOR FPC/FFC AND CYPES WITH AUTOMATIC MOUNTING (SMT).
2. SEE PART DRAWINGS FOR DIMENSIONS A~D.

SHEET INDEX	ISSUE	AA															
	SH NO.	1															
TOLERANCES UNLESS OTHERWISE SPECIFIED		DR	A. KOBAYASHI		DATE	2/4/05		CUSTOMER COPY		TITLE CAT. NO. TABLE FOR 1mm SPACING SMT CONNECTOR (Cat. No. SFW__R-1/2ST__LF)							
LINEAR		ENGR	<i>H. Kobayashi</i>		DATE	2/9/05		 THIRD ANGLE PROJ									
		CHK	<i>H. Kobayashi</i>		DATE	2/9/05		UNIT		MM		PRODUCT FAMILY		58JF		CODE JP	
ANGLES		APPD	<i>H. Kobayashi</i>		DATE	2/9/05		UNIT		INCH		PRODUCT FAMILY		58JF		CODE JP	
DO NOT SCALE PRINT		THIS INFORMATION IS CONFIDENTIAL AND IS DISCLOSED TO YOU ON CONDITION THAT NO FURTHER DISCLOSURE IS MADE BY YOU TO OTHER THAN FCI PERSONNEL WITHOUT WRITTEN AUTHORIZATION FROM FCI JAPAN K.K.										SCALE	SIZE	DWG. NO.	REV	SHEET	
DF-140A REV A												-	A	JSA 95854	AA	1 of 1	

REVISIONS				
REV	DESCRIPTION	ECN	BY	DATE
AA	Changed Coplanarity	J04-0180	H.T	7/2/'04
AB	Changed Cat. No.	J05-0055	H.T	2/4/'05
AC	Added heat resistance	J05-0736	H.T	10/28/'05



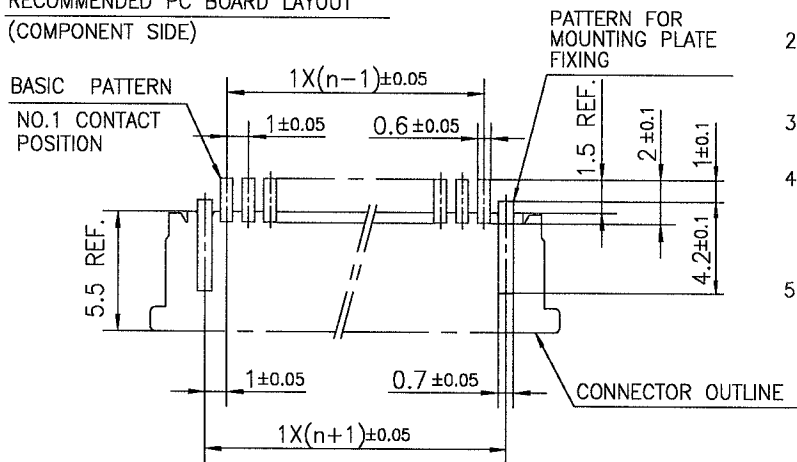
PT. NO.	PARTS NAME	MATERIAL	Q'TY	NOTE
1	HOUSING	PPS RESIN GLASS REINFORCED (UL94V-0)	1	COLOR : BROWN
2	SLIDER		1	COLOR : BLACK
3	CONTACT	PHOSPHOR BRONZE	n	PLATING : TIN
4	MOUNTING PLATE		2	

n : NO. OF CONTACTS

NOTES

1. THIS PRODUCT IS THE CONNECTOR USED FOR FPC/FFC AND COPEs WITH AUTOMATIC MOUNTING (SMT).
2. FLATNESS FOR CONTACT TERMINAL HOUSING MUST BE WITHIN TOLERANCE IN Z PORTION DETAILED DRAWING.
3. THIS PRODUCT IS LOWER CONTACT TYPE CONNECTOR.
4. THIS PRODUCT MEETS EUROPEAN UNION DIRECTIVES AND OTHER COUNTRY REGULATIONS AS DESCRIBED IN GS-22-008
5. THE HOUSING WILL WITHSTAND EXPOSURE TO 260°C PEAK TEMPERATURE FOR 10 SECONDS IN A REFLOW SOLDERING OVEN.

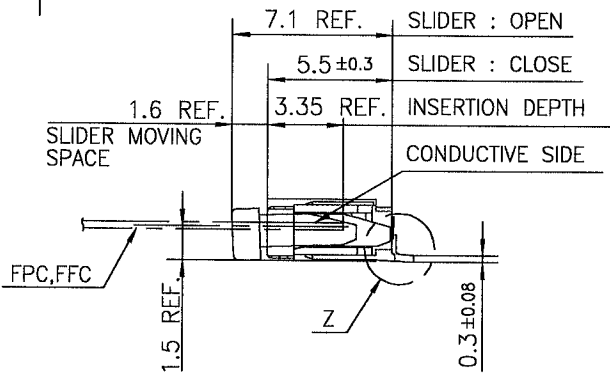
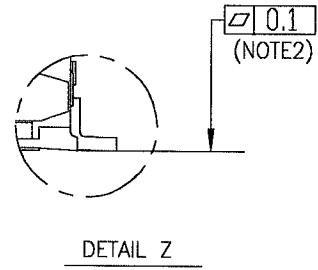
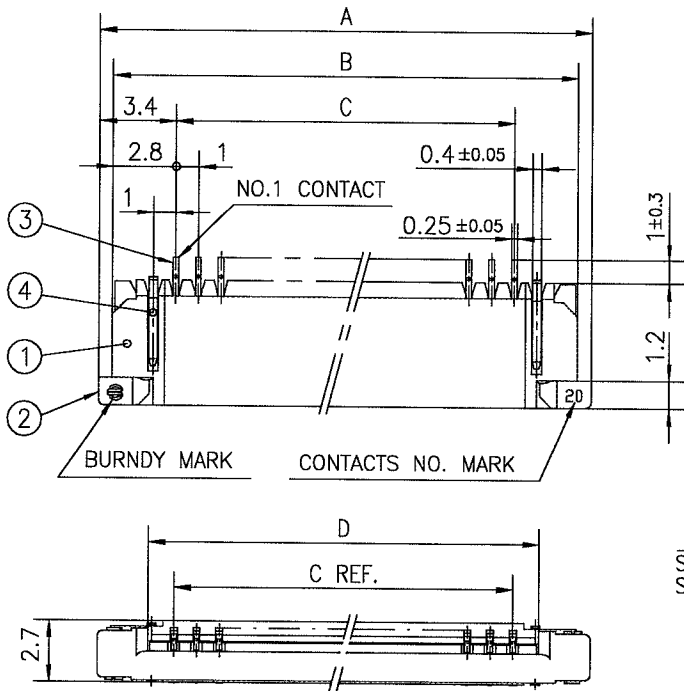
RECOMMENDED PC BOARD LAYOUT (COMPONENT SIDE)



SHEET INDEX	ISSUE	AC						<b>TITLE</b> 1mm SPACING SMT CONNECTOR (Cat. No. SFW__R-1ST__LF)			
	SH NO.	1									
LINEAR	TOLERANCES UNLESS OTHERWISE SPECIFIED	±0.2	DR	DATE	CUSTOMER COPY	<b>PRODUCT FAMILY</b> 58JF <b>CODE JP</b>					
	ANGLES	ENGR	10/21/05	THIRD ANGLE PROJ							
		CHR	10/31/05	UNIT	MM						
	APPD	11/11/05	INCH								
DO NOT SCALE PRINT			THIS INFORMATION IS CONFIDENTIAL AND IS DISCLOSED TO YOU ON CONDITION THAT NO FURTHER DISCLOSURE IS MADE BY YOU TO OTHER THAN FCI PERSONNEL WITHOUT WRITTEN AUTHORIZATION FROM FCI JAPAN K.K.				SCALE	SIZE	DWG. NO.	REV	SHEET
DF-140A REV A							-	A	JSA 95855	AC	1 of 1

SC\_SF10 JSA95854

REVISIONS				
REV	DESCRIPTION	ECN	BY	DATE
AA	CHANGED COPLANARITY	J04-0180	H.T	7/2/04
AB	CHANGED CAT. NO.	J05-0055	H.T	2/4/05
AC	Added heat resistance	J05-0736	H.T	10/28/05



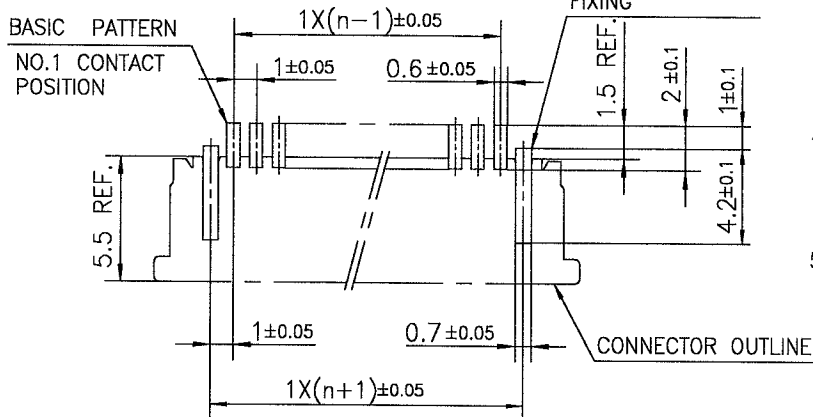
PT. NO.	PARTS NAME	MATERIAL	Q'TY	NOTE
1	HOUSING	PPS RESIN GLASS REINFORCED (UL94V-0)	1	COLOR : BROWN
2	SLIDER	PPS RESIN GLASS REINFORCED (UL94V-0)	1	COLOR : BLACK
3	CONTACT	PHOSPHOR BRONZE	n	PLATING : TIN
4	MOUNTING PLATE		2	

n : NO. OF CONTACTS

NOTES

1. THIS PRODUCT IS THE CONNECTOR USED FOR FPC/FFC AND COPEs WITH AUTOMATIC MOUNTING (SMT).
2. FLATNESS FOR CONTACT TERMINAL HOUSING MUST BE WITHIN TOLERANCE IN Z PORTION DETAILED DRAWING.
3. THIS PRODUCT IS UPPER CONTACT TYPE CONNECTOR.
4. THIS PRODUCT MEETS EUROPEAN UNION DIRECTIVES AND OTHER COUNTRY REGULATIONS AS DESCRIBED IN GS-22-008
5. THE HOUSING WILL WITHSTAND EXPOSURE TO 260°C PEAK TEMPERATURE FOR 10 SECONDS IN A REFLOW SOLDERING OVEN.

RECOMMENDED PC BOARD LAYOUT (COMPONENT SIDE)



SHEET INDEX	ISSUE	AC								
	SH NO.	1								
TOLERANCES UNLESS OTHERWISE SPECIFIED		DR	DATE	CUSTOMER COPY		<p>TITLE</p> <p>1mm SPACING SMT CONNECTOR (Cat. No. SFW__R-2ST__LF)</p> <p>PRODUCT FAMILY 58JF CODE JP</p> <p>SCALE SIZE DWG. NO. REV SHEET</p> <p>- A JSA 95856 AC 1 of 1</p>				
LINEAR	±0.2	ENGR	10/21/05	THIRD ANGLE PROJ						
		CHK	10/21/05	UNIT MM INCH						
ANGLES		APPB	11/1/05							

DO NOT SCALE PRINT  
DF-140A REV A

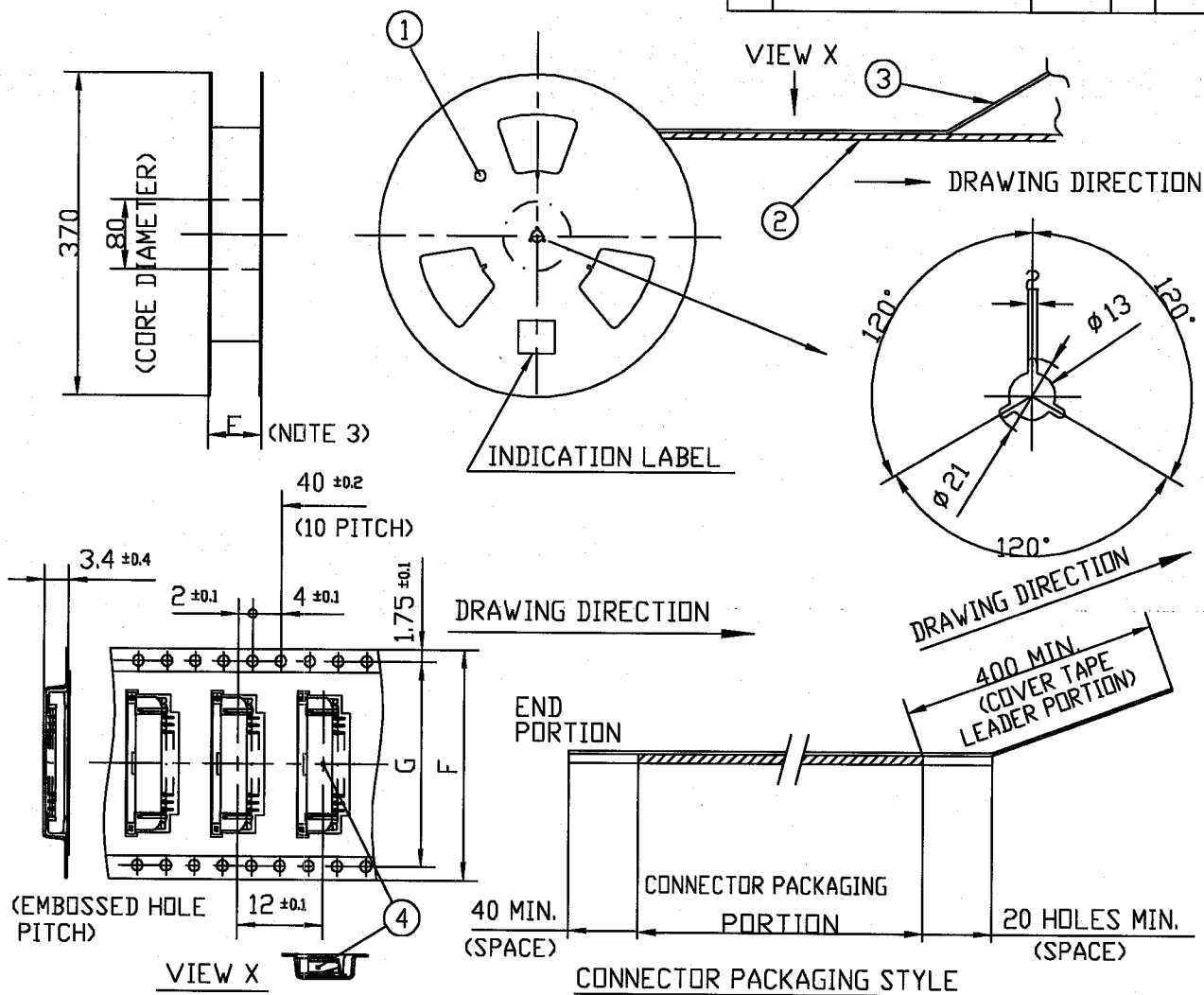
THIS INFORMATION IS CONFIDENTIAL AND IS DISCLOSED TO YOU ON CONDITION THAT NO FURTHER DISCLOSURE IS MADE BY YOU TO OTHER THAN FCI PERSONNEL WITHOUT WRITTEN AUTHORIZATION FROM FCI JAPAN K.K.

SC\_SFW10 JSA95854



TOLERANCES  
UNLESS OTHERWISE SPECIFIED:  $\pm 5$ , ANGLE  $\pm 5^\circ$

REVISIONS				
REV	DESCRIPTION	ECN	BY	DATE
AA	Changed Cat. No.	J05-0055	H.T	2/4/05



PT. NO.	PARTS NAME	CAT. NO.	MATERIAL	Q'TY	NOTE
1	REEL	—	CARDBOARD	1	COLOR: WHITE
2	PLASTIC (EMBOSS) TAPE	—	PET	—	COLOR: TRANSPARENCY
3	COVER	—	POLYESTER	—	COLOR: TRANSPARENCY
4	CONNECTOR	SFW_R-1ST_LF	SEE ATTACHED DWG.	2000	LOWER CONTACT TYPE

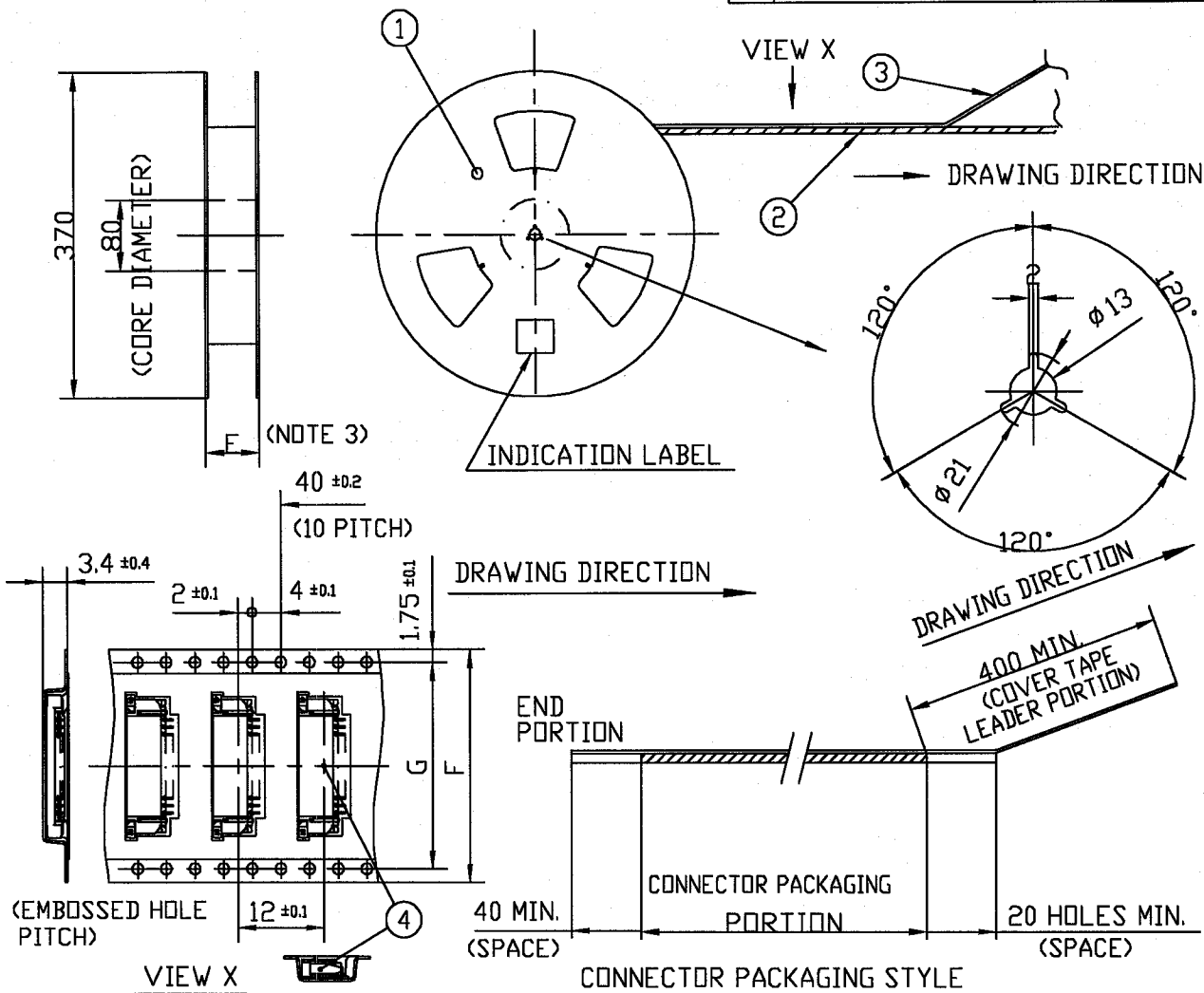
NOTES

1. THIS IS PLASTIC TAPE PACKAGED CONNECTOR USED FOR FPC/FFC AND COPEs WITH AUTOMATIC MOUNTING (SMT).
2. SEE JIS C 0806 (PACKING OF ELECTRONIC COMPONENTS ON CONTINUOUS TAPES (SURFACE MOUNTING DEVICES)) FOR SHAPE AND DIMENSIONS OF PLASTIC (EMBOSS) TAPE AND REEL.
3. E DIMENSION IS PORTION OF THE CORE.

SHEET INDEX	ISSUE	AA											<b>A</b> <b>FCI</b>	
	SH NO.	1												
TOLERANCES UNLESS OTHERWISE SPECIFIED		DR	A. KOBAYASHI	DATE	2/4/05	CUSTOMER COPY	TITLE PLASTIC TAPE PACKAGED 1mm SPACING SMT CONNECTOR (Cat. No. SFW_R-1STE1 LF)							
LINEAR		ENGR	<i>[Signature]</i>	DATE	2/7/05	THIRD ANGLE PROJ								
ANGLES		CHK	<i>[Signature]</i>	DATE	2/7/05	UNIT	MM	PRODUCT FAMILY	58JF	CODE	JP			
DO NOT SCALE PRINT		THIS INFORMATION IS CONFIDENTIAL AND IS DISCLOSED TO YOU ON CONDITION THAT NO FURTHER DISCLOSURE IS MADE BY YOU TO OTHER THAN FCI PERSONNEL WITHOUT WRITTEN AUTHORIZATION FROM FCI JAPAN K.K.					SCALE	A	DWG. NO.	JSA 95858	REV	AA	SHEET	1 OF 1
DF-140A REV A												SC_SFW10	JSA95857	

TOLERANCES  
UNLESS OTHERWISE SPECIFIED:  $\pm 5$ , ANGLE  $\pm 5^\circ$

REVISIONS				
REV	DESCRIPTION	ECN	BY	DATE
AA	Changed Cat. No.	J05-0055	H.T	2/4/05



PT. NO.	PARTS NAME	CAT. NO.	MATERIAL	Q'TY	NOTE
1	REEL	—	CARDBOARD	1	COLOR : WHITE
2	PLASTIC (EMBOSS) TAPE	—	PET	—	COLOR : TRANSPARENCY
3	COVER	—	POLYESTER	—	COLOR : TRANSPARENCY
4	CONNECTOR	SFW_R-2ST_LF	SEE ATTACHED DWG.	2000	UPPER CONTACT TYPE

NOTES

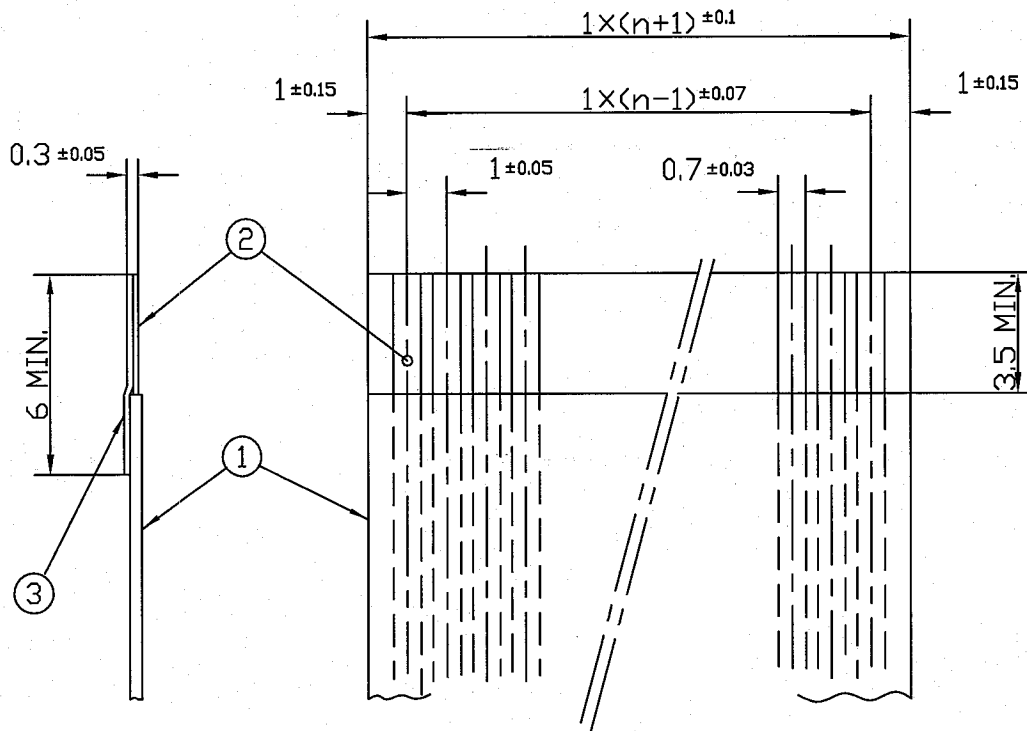
1. THIS IS PLASTIC TAPE PACKAGED CONNECTOR USED FOR FPC/FFC AND COPEs WITH AUTOMATIC MOUNTING (SMT).
2. SEE JIS C 0806 (PACKING OF ELECTRONIC COMPONENTS ON CONTINUOUS TAPES (SURFACE MOUNTING DEVICES)) FOR SHAPE AND DIMENSIONS OF PLASTIC (EMBOSS) TAPE AND REEL.
3. E DIMENSION IS PORTION OF THE CORE.

SHEET INDEX	ISSUE	AA					TITLE				
	SH NO.	1						PRODUCT FAMILY	CODE JP		
TOLERANCES UNLESS OTHERWISE SPECIFIED		DR	A. KOBAYASHI		DATE	2/4/05	CUSTOMER COPY	58JF			
LINEAR	ENGR		<i>[Signature]</i>		DATE	2/7/05	THIRD ANGLE PROJ	58JF			
	CHK		<i>[Signature]</i>		DATE	2/7/05		58JF			
ANGLES	APPD		<i>[Signature]</i>		DATE	2/7/05	UNIT	MM	1 OF 1		
DO NOT SCALE PRINT		THIS INFORMATION IS CONFIDENTIAL AND IS DISCLOSED TO YOU ON CONDITION THAT NO FURTHER DISCLOSURE IS MADE BY YOU TO OTHER THAN FCI PERSONNEL WITHOUT WRITTEN AUTHORIZATION FROM FCI JAPAN K.K.					SCALE	SIZE	DWG. NO.	REV	SHEET
DF-140A REV A							-	A	JSA 95859	AA	1 OF 1

REVISIONS				
REV	DESCRIPTION	ECN	BY	DATE
AA	Changed form.	J05-0055	T.H	2/4/05

RECOMMENDED CABLE (FFC)

n : NO. OF CONDUCTOR



PT. NO.	PARTS NAME	MATERIAL	NOTE
1	INSULATOR	FLAME RESISTING POLYESTER OR EQUAL	_____
2	CONDUCTOR	COPPER FOIL	PLATING : TIN OR SOLDER 1μm MIN.
3	SUPPORTING TAPE	FLAME RESISTING POLYESTER OR EQUAL	_____

NOTES

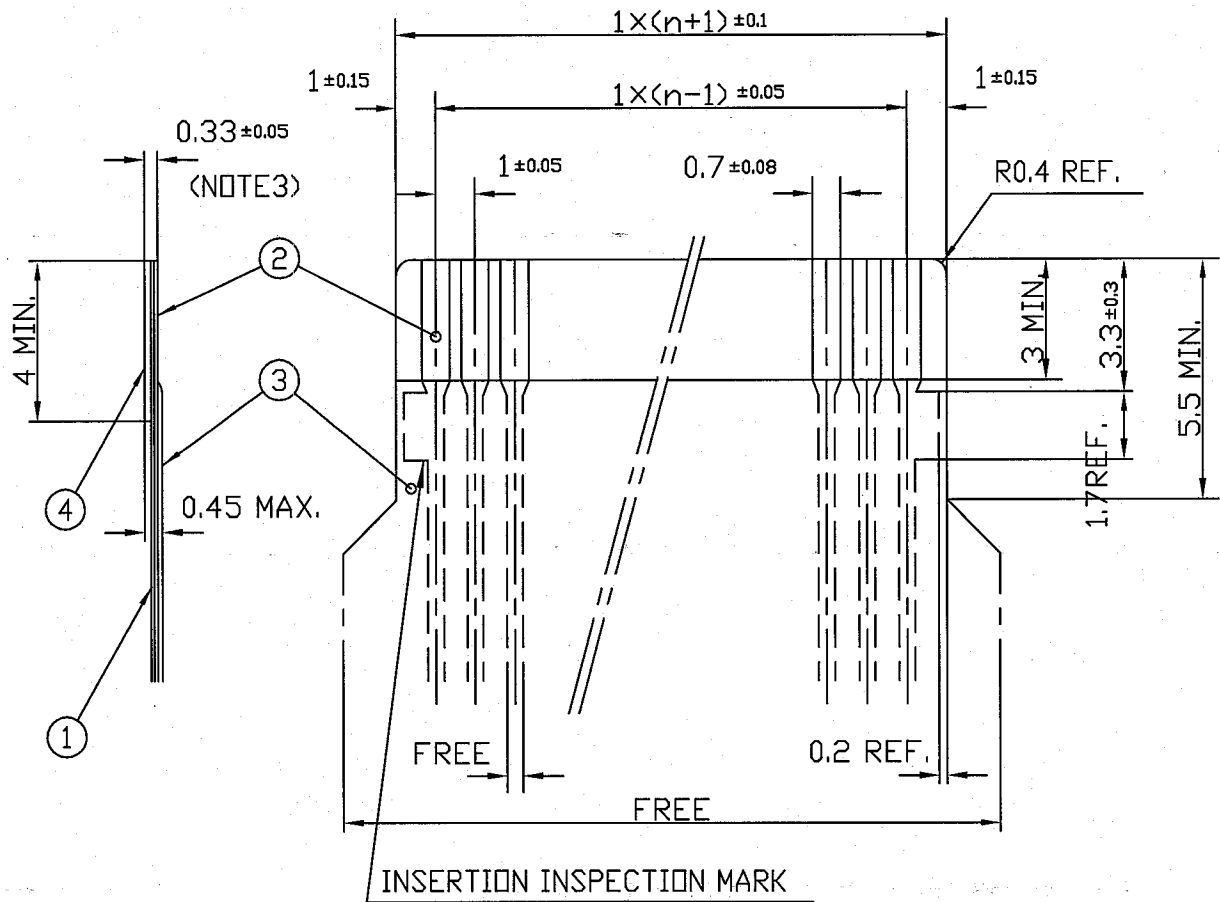
1. NO BURR AT EACH PORTION.
2. NO PEELING IN COMMON USE.

SHEET INDEX	ISSUE	AA																	
	SH NO.	1																	
TOLERANCES UNLESS OTHERWISE SPECIFIED		DR	A. KOBAYASHI		DATE	2/4/05		CUSTOMER COPY	TITLE										
LINEAR		ENGR	<i>H. Takahashi</i>		DATE	2/7/05			RECOMMENDED CABLE										
		CHK	<i>H. Takahashi</i>		DATE	2/7/05			(Cat. No. SFW__R-1/2__)										
ANGLES		APPD	<i>H. Takahashi</i>		DATE	2/7/05		THIRD ANGLE PROJ	PRODUCT FAMILY										
								UNIT	MM	CODE JP									
DO NOT SCALE PRINT		THIS INFORMATION IS CONFIDENTIAL AND IS DISCLOSED TO YOU ON CONDITION THAT NO FURTHER DISCLOSURE IS MADE BY YOU TO EITHER THAN FCI PERSONNEL WITHOUT WRITTEN AUTHORIZATION FROM FCI JAPAN KK.										SCALE	SIZE	DWG. NO.	REV	SHEET			
DF-140A REV A												-	A	JSA 91604	AA	DF			

RECOMMENDED CABLE (FPC)

REVISIONS				
REV	DESCRIPTION	ECN	BY	DATE
AA	Changed form.	J05-0055	T.H	2/4/05

n : NO. OF CONDUCTOR



PT. NO.	PARTS NAME	MATERIAL	THICKNESS (μm)
1	BASE FILM	POLYIMIDE OR POLYESTER OR EQUAL	25
2	CONDUCTOR	COPPER FOIL (PLATING : SOLDER 1μm MIN.)	35
3	OVERLAY	POLYIMIDE OR POLYESTER OR EQUAL	—
4	SUPPORTING TAPE	POLYESTER OR POLYIMIDE OR EQUAL	188

NOTES

1. NO BURR AT EACH PORTION.
2. NO PEELING IN COMMON USE.
3. TOTAL THICKNESS LIMIT OF EACH MATERIAL (INCLUDING ADHESIVE AGENT) IS SPECIFIED.

SHEET INDEX	ISSUE	AA															
	SH NO.	1															
TOLERANCES UNLESS OTHERWISE SPECIFIED		DR	A. KOBAYASHI		DATE	2/4/05		CUSTOMER COPY	TITLE			RECOMMENDED CABLE (Cat. No. SFW__R-1/2__)					
LINEAR		ENGR	<i>H. Takahara</i>		DATE	2/7/05		THIRD ANGLE PROJ	PRODUCT FAMILY				CODE JP				
ANGLES		CHK	<i>H. Takahara</i>		DATE	2/7/05		UNIT	MM			REV					
DO NOT SCALE PRINT		APPD	<i>M. Takahara</i>		DATE	2/17/05		INCH	SCALE			SIZE					
DF-140A REV A		THIS INFORMATION IS CONFIDENTIAL AND IS DISCLOSED TO YOU ON CONDITION THAT NO FURTHER DISCLOSURE IS MADE BY YOU TO OTHER THAN FCI PERSONNEL WITHOUT WRITTEN AUTHORIZATION FROM FCI JAPAN K.K.						-		A	DWG. NO.		JSA 91605	REV	AA	SHEET	OF

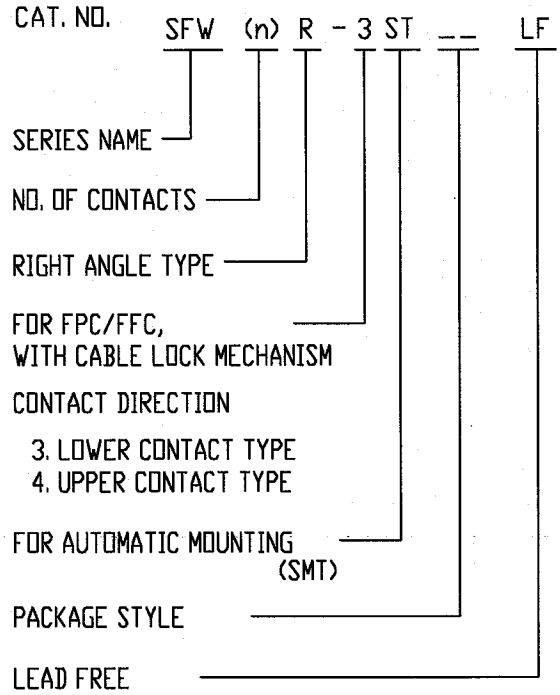


CAT. NO. & DIMENSIONS

REVISIONS

REV	DESCRIPTION	ECN	BY	DATE
AA	Changed Cat. No.	J05-0055	H.T	2/4/05

NO. OF CONTACTS (n)	CAT. NO.	DIMENSIONS (NOTE2)			
		A ± 0.2	B ± 0.2	C ± 0.2	D ± 0.1
4	SFW4R-3/4ST__LF	9.8	8.6	3.0	3.92
5	SFW5R-3/4ST__LF	10.8	9.6	4.0	4.92
6	SFW6R-3/4ST__LF	11.8	10.6	5.0	5.92
7	SFW7R-3/4ST__LF	12.8	11.6	6.0	6.92
8	SFW8R-3/4ST__LF	13.8	12.6	7.0	7.92
9	SFW9R-3/4ST__LF	14.8	13.6	8.0	8.92
10	SFW10R-3/4ST__LF	15.8	14.6	9.0	9.92
11	SFW11R-3/4ST__LF	16.8	15.6	10.0	10.92
12	SFW12R-3/4ST__LF	17.8	16.6	11.0	11.92
13	SFW13R-3/4ST__LF	18.8	17.6	12.0	12.92
14	SFW14R-3/4ST__LF	19.8	18.6	13.0	13.92
15	SFW15R-3/4ST__LF	20.8	19.6	14.0	14.92
16	SFW16R-3/4ST__LF	21.8	20.6	15.0	15.92
17	SFW17R-3/4ST__LF	22.8	21.6	16.0	16.92
18	SFW18R-3/4ST__LF	23.8	22.6	17.0	17.92
19	SFW19R-3/4ST__LF	24.8	23.6	18.0	18.92
20	SFW20R-3/4ST__LF	25.8	24.6	19.0	19.92
21	SFW21R-3/4ST__LF	26.8	25.6	20.0	20.92
22	SFW22R-3/4ST__LF	27.8	26.6	21.0	21.92
23	SFW23R-3/4ST__LF	28.8	27.6	22.0	22.92
24	SFW24R-3/4ST__LF	29.8	28.6	23.0	23.92
25	SFW25R-3/4ST__LF	30.8	29.6	24.0	24.92
26	SFW26R-3/4ST__LF	31.8	30.6	25.0	25.92
27	SFW27R-3/4ST__LF	32.8	31.6	26.0	26.92
28	SFW28R-3/4ST__LF	33.8	32.6	27.0	27.92
29	SFW29R-3/4ST__LF	34.8	33.6	28.0	28.92
30	SFW30R-3/4ST__LF	35.8	34.6	29.0	29.92

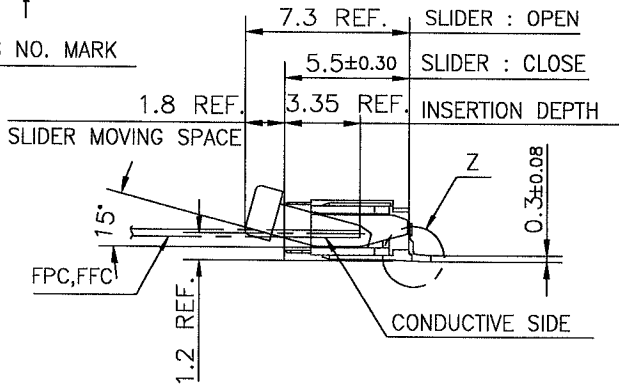
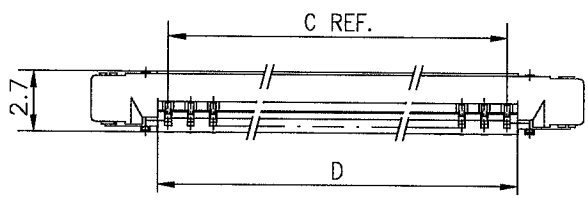
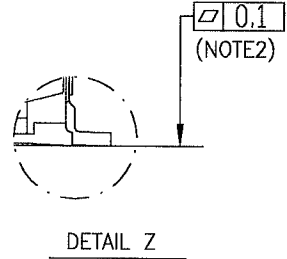
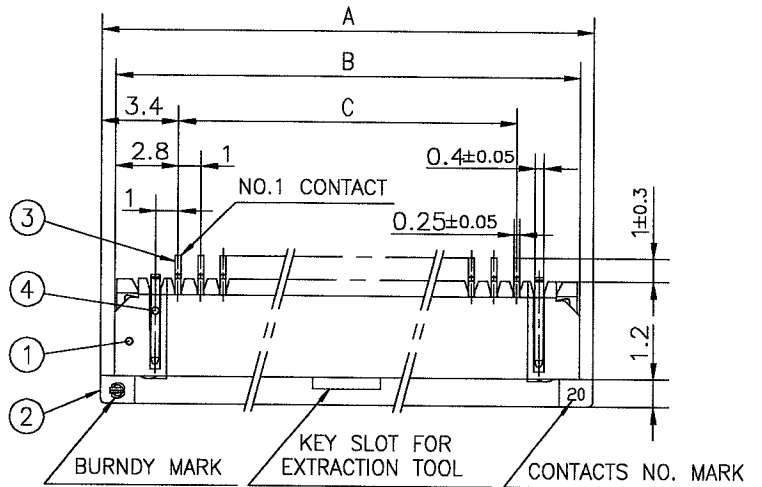


NOTES

1. THIS PRODUCT IS THE CONNECTOR USED FOR FPC/FFC AND COPEES WITH AUTOMATIC MOUNTING (SMT).
2. SEE PART DRAWINGS FOR DIMENSIONS A~D.
3. THIS PRODUCT IS THE CONNECTOR WITH CABLE LOCK MECHANISM.

SHEET INDEX	ISSUE	AA														
	SH NO.	1														
LINEAR	TOLERANCES UNLESS OTHERWISE SPECIFIED		DR	A. KOBAYASHI		DATE	2/4/05		CUSTOMER COPY	TITLE CAT NO. TABLE FOR 1mm SPACING SMT CONNECTOR (Cat. No. SFW__R-3/4ST__LF) PRODUCT FAMILY 58JF CODE JP						
	ANGLES		ENGR	<i>H. Takahashi</i>			<i>2/7/05</i>		THIRD ANGLE PROJ							
				CHK	<i>H. Takahashi</i>			<i>2/7/05</i>								UNIT <u>MM</u> <del>INCH</del>
DO NOT SCALE PRINT		THIS INFORMATION IS CONFIDENTIAL AND IS DISCLOSED TO YOU ON CONDITION THAT NO FURTHER DISCLOSURE IS MADE BY YOU TO OTHER THAN FCI PERSONNEL WITHOUT WRITTEN AUTHORIZATION FROM FCI JAPAN K.K.										SCALE	SIZE	DWG. NO.	REV	SHEET
DF-140A REV A												-	A	JSA 95860	AA	1 of 1

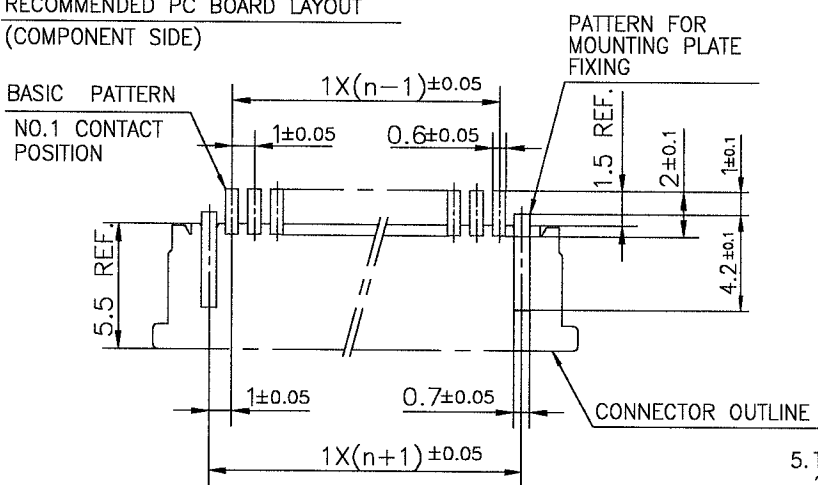
REVISIONS				
REV	DESCRIPTION	ECN	BY	DATE
AA	Changed Coplanarity	J04-0180	H.T	7/2/'04
AB	Changed Cat. No.	J05-0055	H.T	2/4/'05
AC	Added heat resistance	J05-0736	H.T	10/28/'05



PT. NO.	PARTS NAME	MATERIAL	Q'TY	NOTE
1	HOUSING	PPS RESIN GLASS REINFORCED (UL94V-0)	1	COLOR : BLACK
2	SLIDER	PPS RESIN GLASS REINFORCED (UL94V-0)	1	COLOR : BROWN
3	CONTACT	PHOSPHOR BRONZE	n	PLATING : TIN
4	MOUNTING PLATE	PHOSPHOR BRONZE	2	PLATING : TIN

n : NO. OF CONTACTS

RECOMMENDED PC BOARD LAYOUT  
(COMPONENT SIDE)



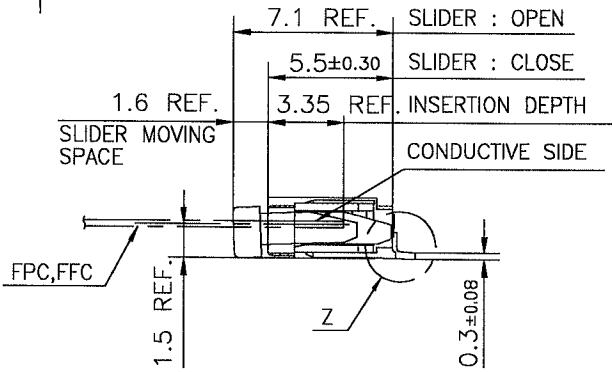
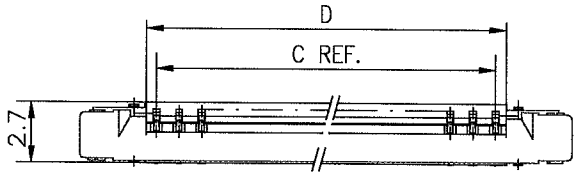
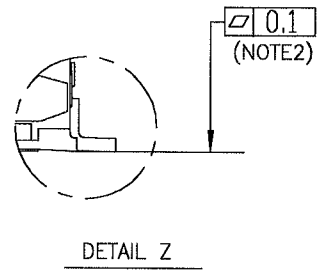
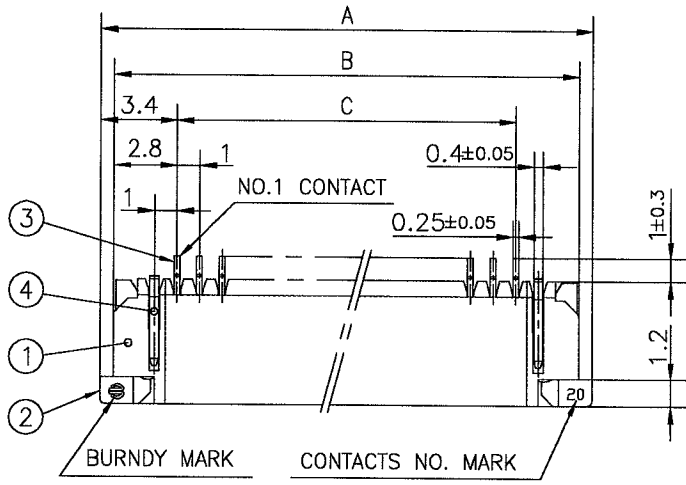
NOTES

1. THIS PRODUCT IS THE CONNECTOR USED FOR FPC/FFC AND COPEs WITH AUTOMATIC MOUNTING (SMT).
2. FLATNESS FOR CONTACT TERMINAL HOUSING MUST BE WITHIN TOLERANCE IN Z PORTION DETAILED DRAWING.
3. THIS PRODUCT IS LOWER CONTACT TYPE CONNECTOR WITH CABLE LOCK MECHANISM.
4. THIS PRODUCT MEETS EUROPEAN UNION DIRECTIVES AND OTHER?COUNTRY REGULATIONS AS DESCRIBED IN GS-22-008
5. THE HOUSING WILL WITHSTAND EXPOSURE TO 260°C PEAK TEMPERATURE FOR 10 SECONDS IN A REFLOW SOLDERING OVEN.

SHEET INDEX	ISSUE	AC								
	SH NO.	1								
TOLERANCES UNLESS OTHERWISE SPECIFIED		DR	DATE		CUSTOMER COPY		TITLE			
LINEAR	±0.2	ENGR	10/31/05		THIRD ANGLE PROJ					
		CHK	10/31/05		UNIT					
ANGLES		APPB	11/1/05		MM		PRODUCT FAMILY		58JF	CODE JP
DO NOT SCALE PRINT		THIS INFORMATION IS CONFIDENTIAL AND IS DISCLOSED TO YOU ON CONDITION THAT NO FURTHER DISCLOSURE IS MADE BY YOU TO OTHER THAN FCI PERSONNEL WITHOUT WRITTEN AUTHORIZATION FROM FCI JAPAN K.K.				SCALE	SIZE	DWG. NO.	REV	SHEET
DF-140A REV A						-	A	JSA 95861	AC	1 of 1

SC\_SFW11 JSA95860

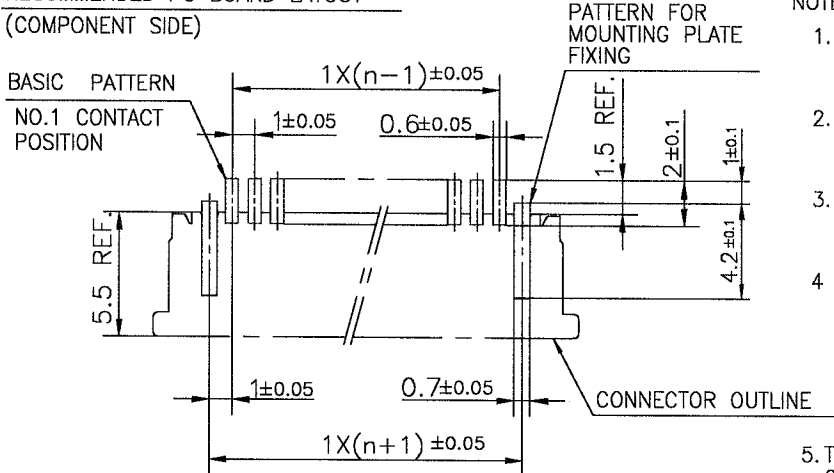
REVISIONS				
REV	DESCRIPTION	ECN	BY	DATE
AA	Changed Coplanarity	J04-0180	H.T	7/2/04
AB	Changed Cat. No.	J05-0055	H.T	2/4/05
AC	Added heat resistance	J05-0736	H.T	10/28/05



PT. NO.	PARTS NAME	MATERIAL	Q'TY	NOTE
1	HOUSING	PPS RESIN GLASS	1	COLOR : BLACK
2	SLIDER	REINFORCED (UL94V-0)	1	COLOR : BROWN
3	CONTACT	PHOSPHOR BRONZE	n	PLATING : TIN
4	MOUNTING PLATE		2	

n : NO. OF CONTACTS

RECOMMENDED PC BOARD LAYOUT  
(COMPONENT SIDE)



NOTES

1. THIS PRODUCT IS THE CONNECTOR USED FOR FPC/FFC AND COPES WITH AUTOMATIC MOUNTING (SMT).
2. FLATNESS FOR CONTACT TERMINAL HOUSING MUST BE WITHIN TOLERANCE IN Z PORTION DETAILED DRAWING.
3. THIS PRODUCT IS UPPER CONTACT TYPE CONNECTOR WITH CABLE LOCK MECHANISM.
4. THIS PRODUCT MEETS EUROPEAN UNION DIRECTIVES AND OTHER?COUNTRY REGULATIONS AS DESCRIBED IN GS-22-008
5. THE HOUSING WILL WITHSTAND EXPOSURE TO 260°C PEAK TEMPERATURE FOR 10 SECONDS IN A REFLOW SOLDERING OVEN.

SHEET INDEX	ISSUE	AC										
	SH NO.	1										
TOLERANCES UNLESS OTHERWISE SPECIFIED	DR	<i>M. ...</i>	DATE	10/28/05	CUSTOMER COPY							
	ENGR	<i>H. ...</i>	DATE	10/21/05	THIRD ANGLE PROJ							
	CHK	<i>H. ...</i>	DATE	10/21/05	UNIT	MM						
	APPD	<i>S. ...</i>	DATE	11/1/05	INCH							
LINEAR	±0.2											
ANGLES												
DO NOT SCALE PRINT												
THIS INFORMATION IS CONFIDENTIAL AND IS DISCLOSED TO YOU ON CONDITION THAT NO FURTHER DISCLOSURE IS MADE BY YOU TO OTHER THAN FCI PERSONNEL WITHOUT WRITTEN AUTHORIZATION FROM FCI JAPAN K.K.												
DF-140A REV A												

**FCI**

TITLE  
1mm SPACING SMT CONNECTOR  
(Cat. No. SFW\_\_R-4ST\_\_LF)

PRODUCT FAMILY  
58JF

CODE  
JP

SCALE  
-

SIZE  
A

DWG. NO.  
JSA 95862

REV  
AC

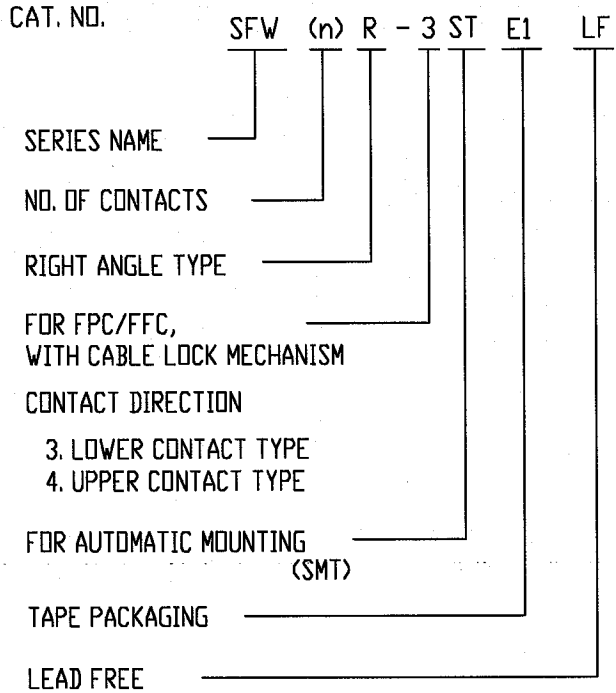
SHEET  
1 OF 1

SC\_SFW11 JSA95860

CAT. NO. & DIMENSIONS

NO. OF CONTACTS (n)	CAT. NO. (NOTE2)	DIMENSIONS (NOTE3)		
		E ± 0.1	F ± 0.3	G ± 0.1
4	SFW4R-3/4STE1 LF	20.4	16	—
5	SFW5R-3/4STE1 LF	28.4	24	—
6	SFW6R-3/4STE1 LF	28.4	24	—
7	SFW7R-3/4STE1 LF	28.4	24	—
8	SFW8R-3/4STE1 LF	28.4	24	—
9	SFW9R-3/4STE1 LF	28.4	24	—
10	SFW10R-3/4STE1 LF	28.4	24	—
11	SFW11R-3/4STE1 LF	28.4	24	—
12	SFW12R-3/4STE1 LF	28.4	24	—
13	SFW13R-3/4STE1 LF	36.4	32	28.4
14	SFW14R-3/4STE1 LF	36.4	32	28.4
15	SFW15R-3/4STE1 LF	36.4	32	28.4
16	SFW16R-3/4STE1 LF	36.4	32	28.4
17	SFW17R-3/4STE1 LF	48.4	44	40.4
18	SFW18R-3/4STE1 LF	48.4	44	40.4
19	SFW19R-3/4STE1 LF	48.4	44	40.4
20	SFW20R-3/4STE1 LF	48.4	44	40.4
21	SFW21R-3/4STE1 LF	48.4	44	40.4
22	SFW22R-3/4STE1 LF	48.4	44	40.4
23	SFW23R-3/4STE1 LF	48.4	44	40.4
24	SFW24R-3/4STE1 LF	48.4	44	40.4
25	SFW25R-3/4STE1 LF	48.4	44	40.4
26	SFW26R-3/4STE1 LF	48.4	44	40.4
27	SFW27R-3/4STE1 LF	48.4	44	40.4
28	SFW28R-3/4STE1 LF	60.4	56	52.4
29	SFW29R-3/4STE1 LF	60.4	56	52.4
30	SFW30R-3/4STE1 LF	60.4	56	52.4

REVISIONS				
REV	DESCRIPTION	ECN	BY	DATE
AA	Changed Cat. No.	J05-0055	H.T	2/4/05



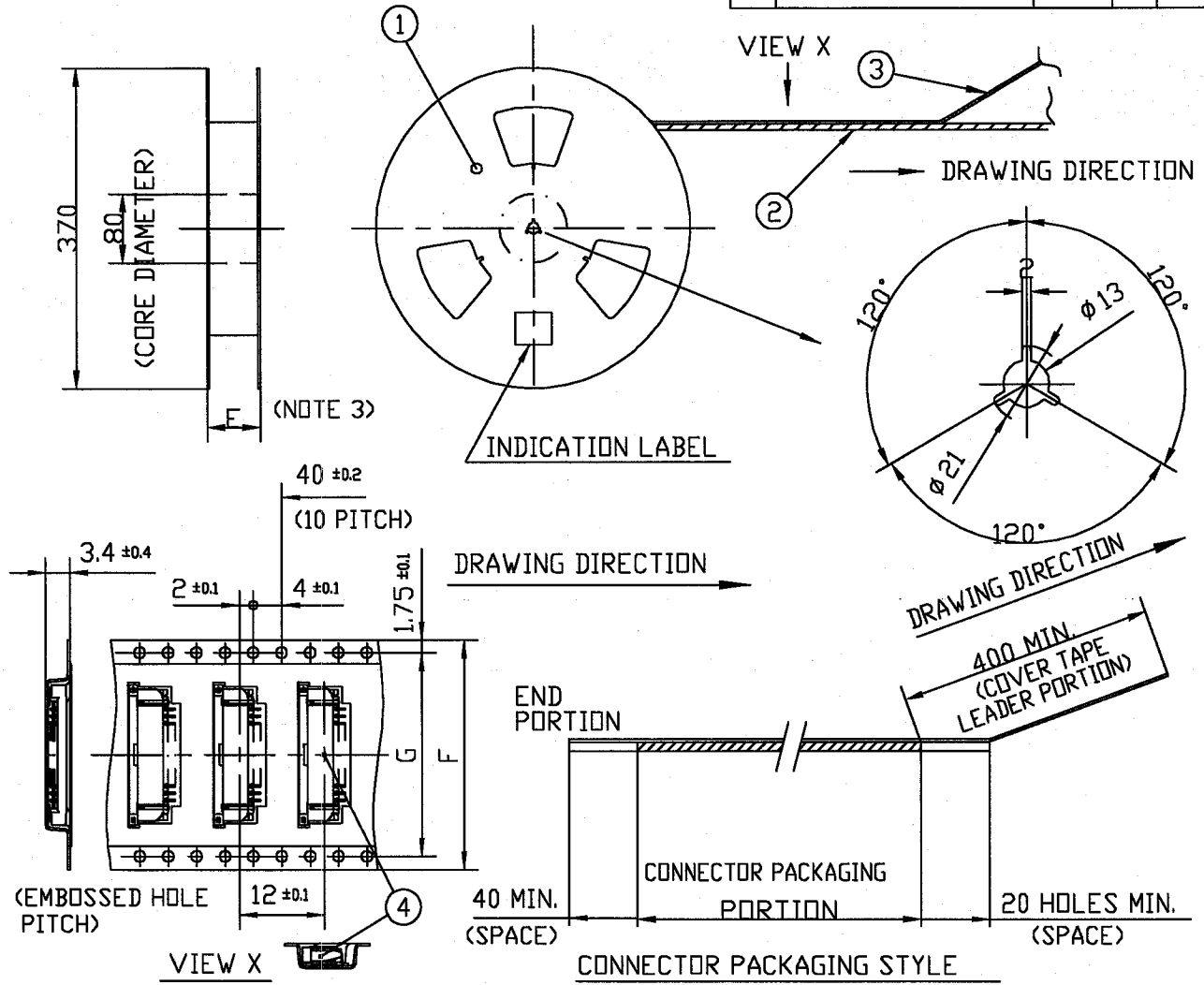
NOTES

1. THIS PRODUCT IS THE CONNECTOR USED FOR FPC/FFC AND COPE WITH AUTOMATIC MOUNTING (SMT).
2. THIS CATALOG NO. INDICATES PLASTIC TAPE PACKAGED CONNECTOR.
3. SEE PART DRAWINGS FOR DIMENSIONS E~G.
4. THIS PRODUCT IS THE CONNECTOR WITH CABLE LOCK MECHANISM.

SHEET INDEX	ISSUE	AA																
	SH NO.	1																
TOLERANCES UNLESS OTHERWISE SPECIFIED		DR	A. KOBAYASHI		DATE	2/4/05		CUSTOMER COPY	TITLE CAT NO. TABLE FOR PLASTIC TAPE PACKAGED 1mm SPACING SMT CONNECTOR (Cat. No. SFW__R-3/4STE1 LF)									
LINEAR		ENGR	<i>[Signature]</i>			2/7/05		THIRD ANGLE PROJ										
		CHK	<i>[Signature]</i>			2/7/05												
ANGLES		APPD	<i>[Signature]</i>			2/7/05		UNIT	MM	PRODUCT FAMILY	58JF		CODE JP					
DO NOT SCALE PRINT		THIS INFORMATION IS CONFIDENTIAL AND IS DISCLOSED TO YOU ON CONDITION THAT NO FURTHER DISCLOSURE IS MADE BY YOU TO OTHER THAN FCI PERSONNEL WITHOUT WRITTEN AUTHORIZATION FROM FCI JAPAN K.K.										SCALE	SIZE	DWG. NO.	REV	SHEET		
DF-140A REV A												-	A	JSA 95863	AA	1 of 1		

TOLERANCES  
UNLESS OTHERWISE SPECIFIED:  $\pm 5$ , ANGLE  $\pm 5$

REVISIONS				
REV	DESCRIPTION	ECN	BY	DATE
AA	Changed Cat. No.	J05-0055	H.T	2/4/05



PT. NO.	PARTS NAME	CAT. NO.	MATERIAL	Q'TY	NOTE
1	REEL	—	CARDBOARD	1	COLOR: WHITE
2	PLASTIC (EMBOSS) TAPE	—	PET	—	COLOR: TRANSPARENCY
3	COVER	—	POLYESTER	—	COLOR: TRANSPARENCY
4	CONNECTOR	SFW_R-3ST_LF	SEE ATTACHED DWG.	2000	LOWER CONTACT TYPE

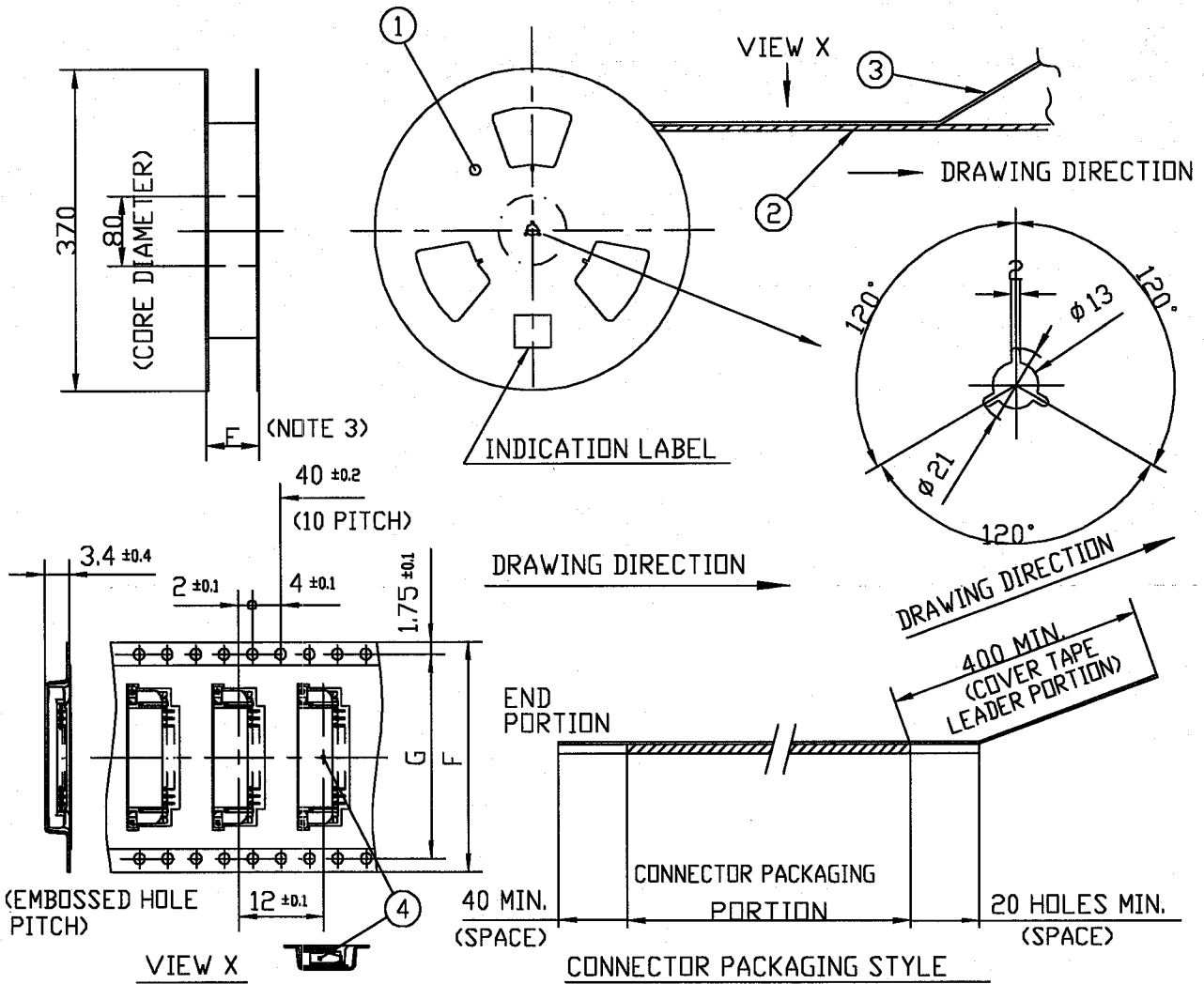
NOTES

- THIS IS PLASTIC TAPE PACKAGED CONNECTOR WITH CABLE LOCK MECHANISM USED FOR FPC/FFC AND COPEs WITH AUTOMATIC MOUNTING (SMT).
- SEE JIS C 0806 (PACKING OF ELECTRONIC COMPONENTS ON CONTINUOUS TAPES (SURFACE MOUNTING DEVICES)) FOR SHAPE AND DIMENSIONS OF PLASTIC (EMBOSS) TAPE AND REEL.
- E DIMENSION IS PORTION OF THE CORE.

SHEET INDEX	ISSUE	AA														
	SH NO.	1														
TOLERANCES UNLESS OTHERWISE SPECIFIED	DR	A. KOBAYASHI		DATE	2/4/05		CUSTOMER COPY	TITLE PLASTIC TAPE PACKAGED 1mm SPACING SMT CONNECTOR (Cat. No. SFW_R-3STE1 LF)								
	ENGR	<i>[Signature]</i>														
	CHR	<i>[Signature]</i>														
LINEAR								THIRD ANGLE PROJ	PRODUCT FAMILY 58JF					CODE JP		
ANGLES								UNIT						MM	INCH	
DO NOT SCALE PRINT THIS INFORMATION IS CONFIDENTIAL AND IS DISCLOSED TO YOU ON CONDITION THAT NO FURTHER DISCLOSURE IS MADE BY YOU TO OTHER THAN FCI PERSONNEL WITHOUT WRITTEN AUTHORIZATION FROM FCI JAPAN K.K.												SCALE	SIZE	DWG. NO.	REV	SHEET
DF-140A REV A												-	A	JSA 95864	AA	OF

TOLERANCES  
UNLESS OTHERWISE SPECIFIED:  $\pm 5$ , ANGLE  $\pm 5^\circ$

REVISIONS				
REV	DESCRIPTION	ECN	BY	DATE
AA	Changed Cat. No.	J05-0055	H.T	2/4/05



PT. NO.	PARTS NAME	CAT. NO.	MATERIAL	Q'TY	NOTE
1	REEL	—	CARDBOARD	1	COLOR : WHITE
2	PLASTIC (EMBOSS) TAPE	—	PET	—	COLOR : TRANSPARENCY
3	COVER	—	POLYESTER	—	COLOR : TRANSPARENCY
4	CONNECTOR	SFW__R-4ST__LF	SEE ATTACHED DWG.	2000	UPPER CONTACT TYPE

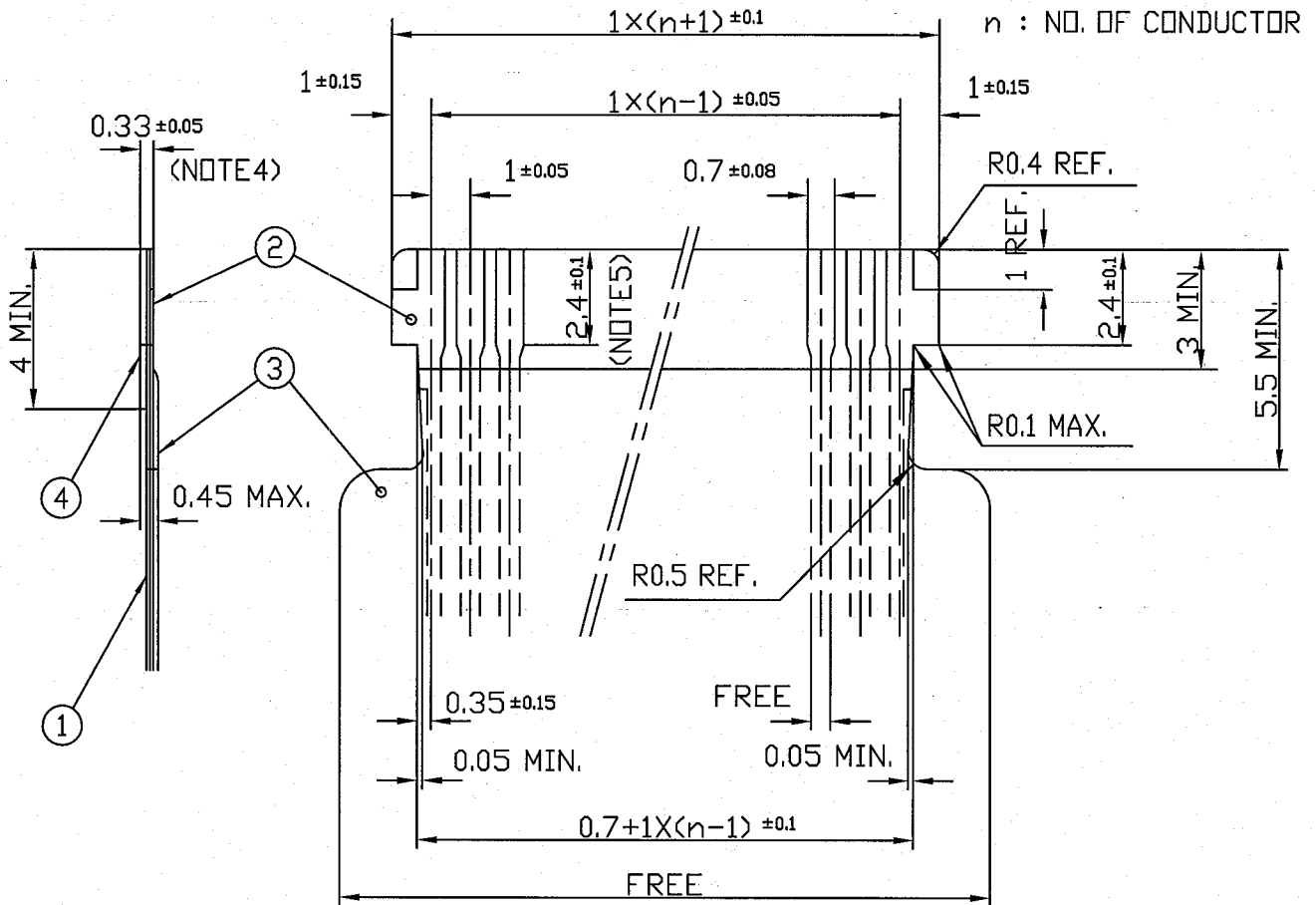
NOTES

- THIS IS PLASTIC TAPE PACKAGED CONNECTOR WITH CABLE LOCK MECHANISM USED FOR FPC/FFC AND COPEs WITH AUTOMATIC MOUNTING (SMT).
- SEE JIS C 0806 (PACKING OF ELECTRONIC COMPONENTS ON CONTINUOUS TAPES (SURFACE MOUNTING DEVICES)) FOR SHAPE AND DIMENSIONS OF PLASTIC (EMBOSS) TAPE AND REEL.
- E DIMENSION IS PORTION OF THE CORE.

SHEET INDEX	ISSUE	AA														
	SH NO.	1														
TOLERANCES UNLESS OTHERWISE SPECIFIED		DR	A. KOBAYASHI		DATE	2/4/05		CUSTOMER COPY		TITLE PLASTIC TAPE PACKAGED 1mm SPACING SMT CONNECTOR (Cat. No. SFW__R-4STE1 LF)						
LINEAR		ENGR	<i>[Signature]</i>		DATE	2/7/05										
ANGLES		CHK	<i>[Signature]</i>		DATE	2/9/05		THIRD ANGLE PROJ		PRODUCT FAMILY		58JF	CODE JP			
DO NOT SCALE PRINT		APPD	<i>[Signature]</i>		DATE	2/17/05		UNIT		MM	SCALE	SIZE	DWG. NO.	REV	SHEET	
DF-140A REV A		THIS INFORMATION IS CONFIDENTIAL AND IS DISCLOSED TO YOU ON CONDITION THAT NO FURTHER DISCLOSURE IS MADE BY YOU TO OTHER THAN FCI PERSONNEL WITHOUT WRITTEN AUTHORIZATION FROM FCI JAPAN K.K.										-	A	JSA 95865	AA	DF


RECOMMENDED CABLE (FPC)

REVISIONS				
REV	DESCRIPTION	ECN	BY	DATE
1	Plating thickness changed.			9/10/98
AA	Changed form.	J05-0055	H.T	2/4/05



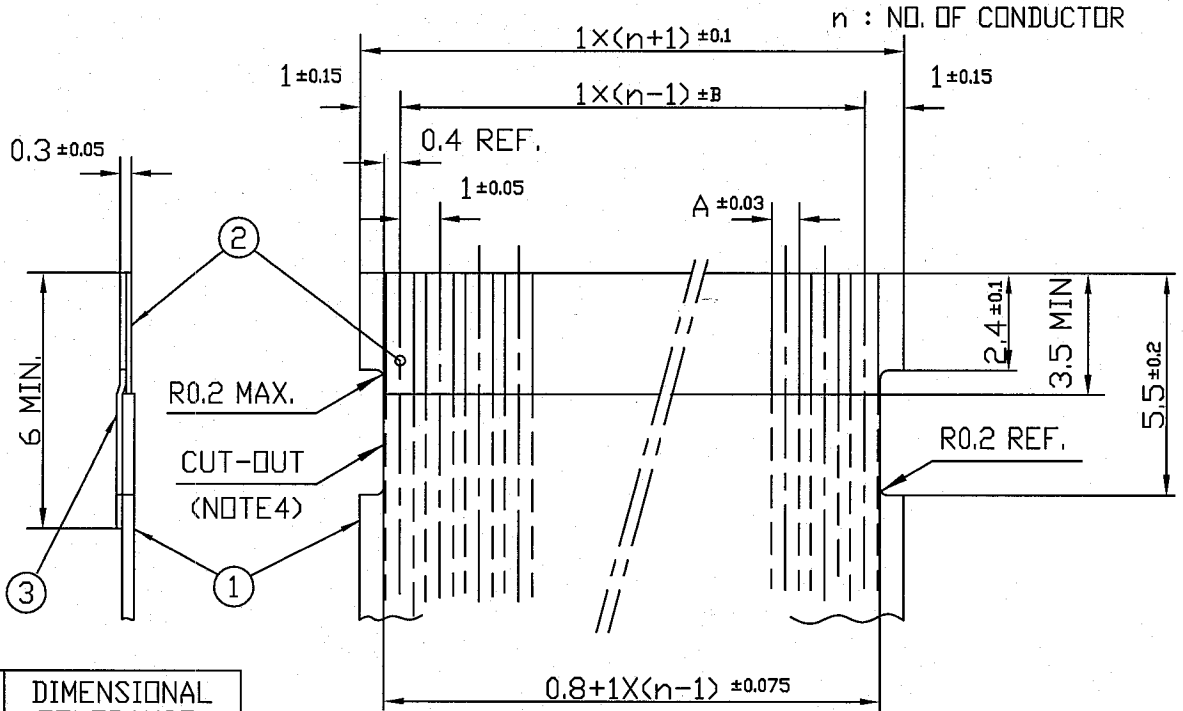
PT. NO.	PARTS NAME	MATERIAL	THICKNESS (μm)
1	BASE FILM	POLYIMIDE OR POLYESTER OR EQUAL	25
2	CONDUCTOR	COPPER FOIL (PLATING : SOLDER 1μm MIN.)	35
3	OVERLAY	POLYIMIDE OR POLYESTER OR EQUAL	—
4	SUPPORTING TAPE	POLYESTER OR POLYIMIDE OR EQUAL	188

- NOTES
1. THIS DRAWING INDICATES THE FPC USED THE CONNECTOR WITH CABLE LOCK MECHANISM.
  2. NO BURR AT EACH PORTION.
  3. NO PEELING IN COMMON USE.
  4. TOTAL THICKNESS LIMIT OF EACH MATERIAL (INCLUDING ADHESIVE AGENT) IS SPECIFIED.
  5. THIS DIMENSION INDICATES THE RANGE FOR 0.7 ± 0.08 CONDUCTOR WIDTH.

SHEET INDEX	ISSUE	AA														
	SH NO.	1														
TOLERANCES UNLESS OTHERWISE SPECIFIED		DR	A. KOBAYASHI		DATE	2/4/05		CUSTOMER COPY		TITLE						
LINEAR	ENGR		<i>H. Kobayashi</i>		DATE	2/7/05		THIRD ANGLE PROJ		RECOMMENDED CABLE						
	CHK		<i>H. Kobayashi</i>		DATE	2/7/05		UNIT		(Cat. No. SFW__R-3/4__)						
ANGLES	APPT		<i>M. Takahashi</i>		DATE	2/7/05		MM INCH		PRODUCT FAMILY						
	DO NOT SCALE PRINT										CODE JP					
DF-140A REV A		THIS INFORMATION IS CONFIDENTIAL AND IS DISCLOSED TO YOU ON CONDITION THAT NO FURTHER DISCLOSURE IS MADE BY YOU TO OTHER THAN FCI PERSONNEL WITHOUT WRITTEN AUTHORIZATION FROM FCI JAPAN K.K.										SCALE	SIZE	DWG. NO.	REV	SHEET
												-	A	JSA 93212	AA	0F

RECOMMENDED CABLE (FFC)


REVISIONS				
REV	DESCRIPTION	ECN	BY	DATE
AA	Changed form.	J05-0055	H.T	2/4/05



KIND OF FFC (NOTE 5)	DIMENSIONAL TOLERANCE	
	A	B
1	0.7	0.1
2	0.6	0.07

PT. NO.	PARTS NAME	MATERIAL	NOTE
1	INSULATOR	FLAME RESISTING POLYESTER OR EQUAL	_____
2	CONDUCTOR	COPPER FOIL	PLATING: TIN OR SOLDER 1μm MIN.
3	SUPPORTING TAPE	FLAME RESISTING POLYESTER OR EQUAL	_____

- NOTES
1. THIS DRAWING INDICATES THE FFC USED THE CONNECTOR WITH CABLE LOCK MECHANISM.
  2. NO BURR AT EACH PORTION.
  3. NO PEELING IN COMMON USE.
  4. THERE IS A POSSIBILITY THAT THE CUT-OUT CROSSES THE CONDUCTOR BECAUSE OF DIMENSIONAL TOLERANCE.
  5. EITHER KIND1 OR KIND2 OF FFC CAN ACCEPT DIMENSIONAL TOLERANCE a AND b.

SHEET INDEX	ISSUE	AA																
	SH NO.	1																
TOLERANCES UNLESS OTHERWISE SPECIFIED		DR	A. KOBAYASHI		DATE	2/4/05		CUSTOMER COPY	TITLE RECOMMENDED CABLE (Cat. No. SFW__R-3/4__ )									
LINEAR		ENGR	<i>H. Takahashi</i>		DATE	2/7/05		THIRD ANGLE PROJ										
ANGLES		CHK	<i>H. Takahashi</i>		DATE	2/7/05		UNIT	PRODUCT FAMILY CODE JP									
DO NOT SCALE PRINT		APPD		<i>M. Takahashi</i>		DATE	2/17/05		UNIT	MM		ENCH		SCALE - A		DWG. NO. JSA 93213	REV AA	SHEET OF
THIS INFORMATION IS CONFIDENTIAL AND IS DISCLOSED TO YOU ON CONDITION THAT NO FURTHER DISCLOSURE IS MADE BY YOU TO OTHER THAN FCI PERSONNEL WITHOUT WRITTEN AUTHORIZATION FROM FCI JAPAN KK.																		

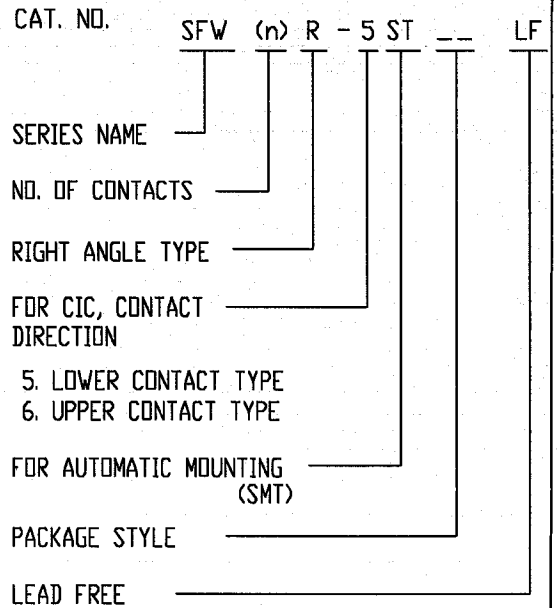


REVISIONS

REV	DESCRIPTION	ECN	BY	DATE
AA	Changed CAT.NO.	J05-0055	H.T.	2/4/05

CAT. NO. & DIMENSIONS

NO. OF CONTACTS (n)	CAT. NO.	DIMENSIONS (NOTE2)			
		A ± 0.2	B ± 0.2	C ± 0.2	D ± 0.1
4	SFW4R-5/6ST__LF	9.8	8.6	3.0	5.3
5	SFW5R-5/6ST__LF	10.8	9.6	4.0	6.3
6	SFW6R-5/6ST__LF	11.8	10.6	5.0	7.3
7	SFW7R-5/6ST__LF	12.8	11.6	6.0	8.3
8	SFW8R-5/6ST__LF	13.8	12.6	7.0	9.3
9	SFW9R-5/6ST__LF	14.8	13.6	8.0	10.3
10	SFW10R-5/6ST__LF	15.8	14.6	9.0	11.3
11	SFW11R-5/6ST__LF	16.8	15.6	10.0	12.3
12	SFW12R-5/6ST__LF	17.8	16.6	11.0	13.3
13	SFW13R-5/6ST__LF	18.8	17.6	12.0	14.3
14	SFW14R-5/6ST__LF	19.8	18.6	13.0	15.3
15	SFW15R-5/6ST__LF	20.8	19.6	14.0	16.3
16	SFW16R-5/6ST__LF	21.8	20.6	15.0	17.3
17	SFW17R-5/6ST__LF	22.8	21.6	16.0	18.3
18	SFW18R-5/6ST__LF	23.8	22.6	17.0	19.3
19	SFW19R-5/6ST__LF	24.8	23.6	18.0	20.3
20	SFW20R-5/6ST__LF	25.8	24.6	19.0	21.3
21	SFW21R-5/6ST__LF	26.8	25.6	20.0	22.3
22	SFW22R-5/6ST__LF	27.8	26.6	21.0	23.3
23	SFW23R-5/6ST__LF	28.8	27.6	22.0	24.3
24	SFW24R-5/6ST__LF	29.8	28.6	23.0	25.3
25	SFW25R-5/6ST__LF	30.8	29.6	24.0	26.3
26	SFW26R-5/6ST__LF	31.8	30.6	25.0	27.3
27	SFW27R-5/6ST__LF	32.8	31.6	26.0	28.3
28	SFW28R-5/6ST__LF	33.8	32.6	27.0	29.3
29	SFW29R-5/6ST__LF	34.8	33.6	28.0	30.3
30	SFW30R-5/6ST__LF	35.8	34.6	29.0	31.3



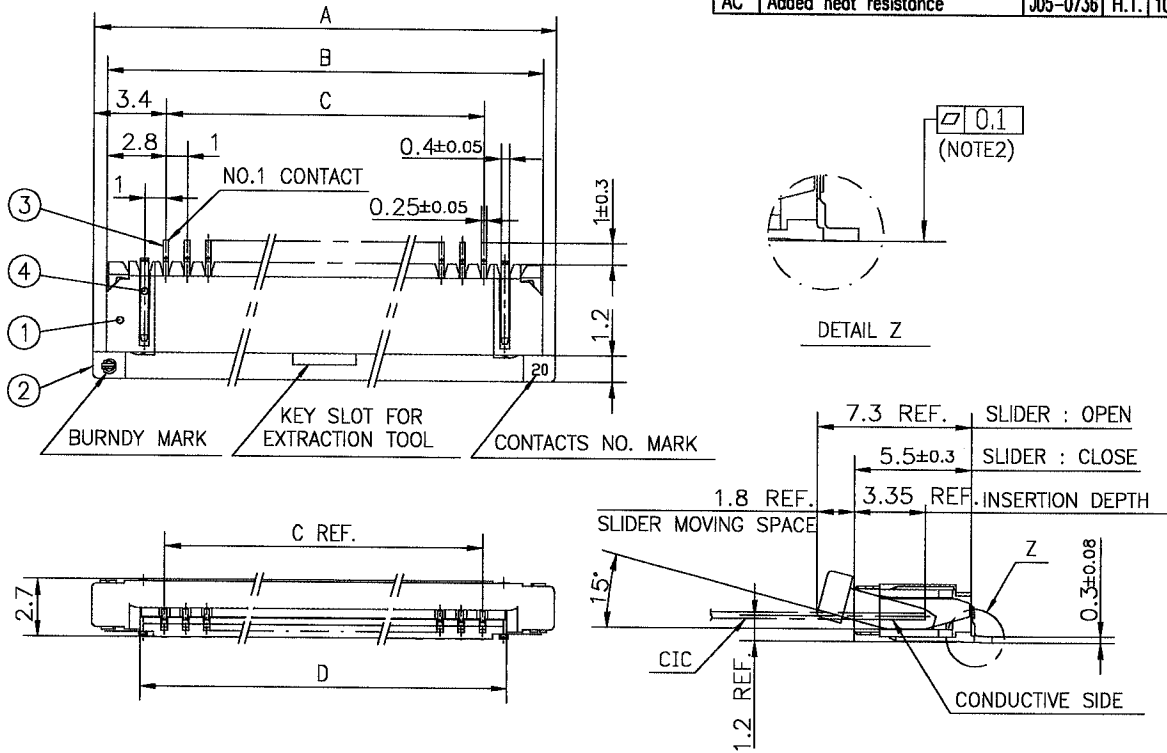
NOTES

1. THIS PRODUCT IS THE CONNECTOR USED FOR CIC AND COPEES WITH AUTOMATIC MOUNTING (SMT).
2. SEE PART DRAWINGS FOR DIMENSIONS A~D.

SHEET INDEX	ISSUE	AA														
	SH NO.	1														
TOLERANCES UNLESS OTHERWISE SPECIFIED			DR	M. MIZUTANI	DATE	2/4/05	CUSTOMER COPY	TITLE								
			ENGR					CAT. NO. TABLE FOR								
LINEAR			CHK	<i>H. Takahashi</i>	2/7/05			1mm SPACING SMT CONNECTOR								
			APPD	<i>H. Takahashi</i>	2/7/05	THIRD ANGLE PROJ		(CAT.NO. SFW__R-5/6ST__LF)								
ANGLES				<i>H. Takahashi</i>	2/7/05	UNIT	MM	PRODUCT FAMILY	58JF	CODE	JP					
DO NOT SCALE PRINT			THIS INFORMATION IS CONFIDENTIAL AND IS DISCLOSED TO YOU ON CONDITION THAT NO FURTHER DISCLOSURE IS MADE BY YOU TO OTHER THAN FCI PERSONNEL WITHOUT WRITTEN AUTHORIZATION FROM FCI JAPAN K.K.				SCALE	SIZE	DWG. NO.	REV	SHEET					
DF-140A REV A							X	A	JSA 95866	AA	1 OF 1					

REVISIONS

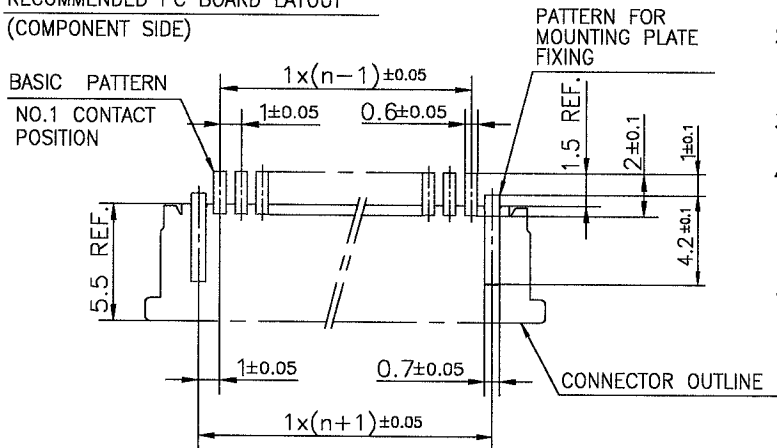
REV	DESCRIPTION	ECN	BY	DATE
AA	CHANGED COPLANARITY	J04-0180	H.T	7/2/'04
AB	Changed CAT.NO.	J05-0055	H.T.	2/4/'05
AC	Added heat resistance	J05-0736	H.T.	10/28/'05



PT. NO.	PARTS NAME	MATERIAL	Q'TY	NOTE
1	HOUSING	PPS RESIN GLASS REINFORCED (UL94V-0)	1	COLOR:BROWN
2	SLIDER	PPS RESIN GLASS REINFORCED (UL94V-0)	1	COLOR:BEIGE
3	CONTACT	PHOSPHOR BRONZE	n	PLATING:TIN
4	MOUNTING PLATE		2	

n : NO. OF CONTACTS  
NOTES

RECOMMENDED PC BOARD LAYOUT  
(COMPONENT SIDE)



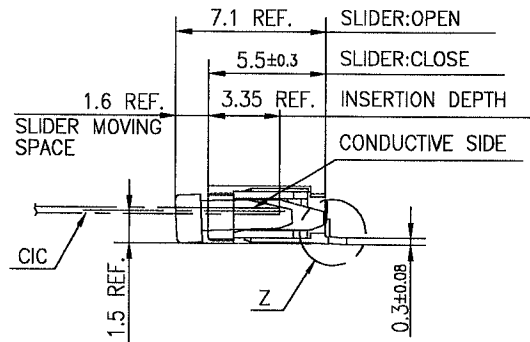
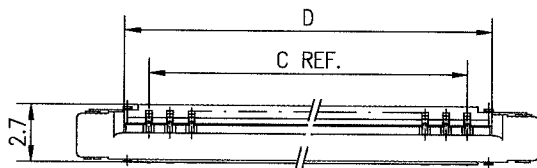
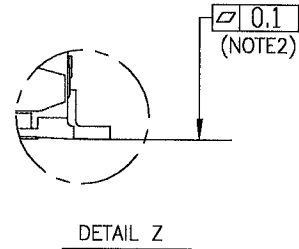
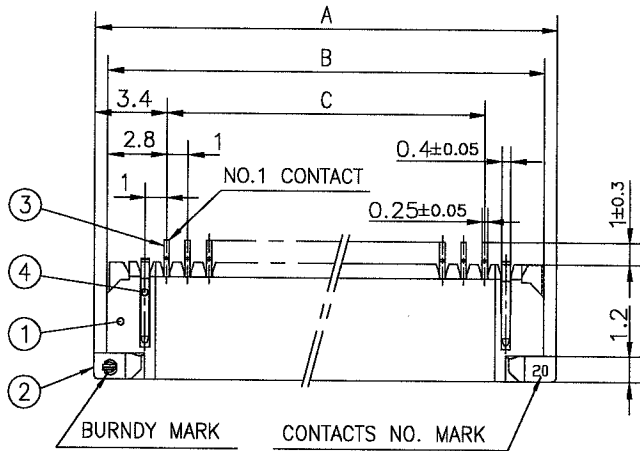
1. THIS PRODUCT IS THE CONNECTOR USED FOR CIC AND COPES WITH AUTOMATIC MOUNTING (SMT).
2. FLATNESS FOR CONTACT TERMINAL HOUSING MUST BE WITHIN TOLERANCE IN Z PORTION DETAILED DRAWING.
3. THIS PRODUCT IS LOWER CONTACT TYPE CONNECTOR.
4. THIS PRODUCT MEETS EUROPEAN UNION DIRECTIVES AND OTHER COUNTRY REGULATIONS AS DESCRIBED IN GS-22-008
5. THE HOUSING WILL WITHSTAND EXPOSURE TO 260°C PEAK TEMPERATURE FOR 10 SECONDS IN A REFLOW SOLDERING OVEN.

SHEET INDEX	ISSUE	AC											TITLE								
	SH NO.	1																			
LINEAR	TOLERANCES UNLESS OTHERWISE SPECIFIED		DR	DATE	CUSTOMER COPY	 1mm SPACING SMT CONNECTOR (Cat. No. SFW__R-5ST__LF)						PRODUCT FAMILY		58JF		CODE JP					
	±0.2	ENGR	10/24/05																		
ANGLES			CHK	10/24/05	THIRD ANGLE PROJ.	UNIT		MM		INCH		SCALE		SIZE		DWG. NO.		REV		SHEET	
			APPD	11/1/05								X		A		JSA 95867		AC		1 OF 1	

SC-SFW12 JSA95866

REVISIONS

REV	DESCRIPTION	ECN	BY	DATE
AA	CHANGED COPLANARITY	J04-0180	H.T	7/2/'04
AB	Changed CAT.NO.	J05-0055	H.T.	2/4/'05
AC	Added heat resistance	J05-0736	H.T.	10/28/'05



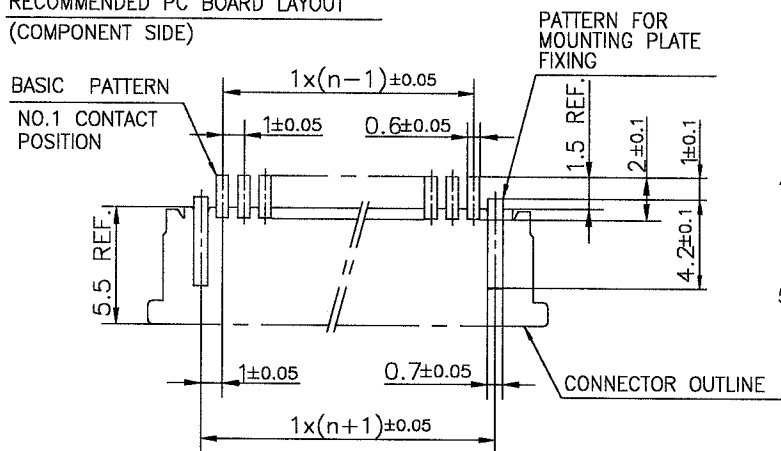
PT. NO.	PARTS NAME	MATERIAL	Q'TY	NOTE
1	HOUSING	PPS RESIN GLASS REINFORCED (UL94V-0)	1	COLOR:BROWN
2	SLIDER		1	COLOR:BEIGE
3	CONTACT	PHOSPHOR BRONZE	n	PLATING:TIN
4	MOUNTING PLATE		2	

n : NO. OF CONTACTS

NOTES

1. THIS PRODUCT IS THE CONNECTOR USED FOR CIC AND COPES WITH AUTOMATIC MOUNTING (SMT).
2. FLATNESS FOR CONTACT TERMINAL HOUSING MUST BE WITHIN TOLERANCE IN Z PORTION DETAILED DRAWING.
3. THIS PRODUCT IS UPPER CONTACT TYPE CONNECTOR.
4. THIS PRODUCT MEETS EUROPEAN UNION DIRECTIVES AND OTHER COUNTRY REGULATIONS AS DISCRIBED IN GS-22-008
5. THE HOUSING WILL WITHSTAND EXPOSURE TO 260°C PEAK TEMPERATURE FOR 10 SECONDS IN A REFLOW SOLDERING OVEN.

RECOMMENDED PC BOARD LAYOUT (COMPONENT SIDE)

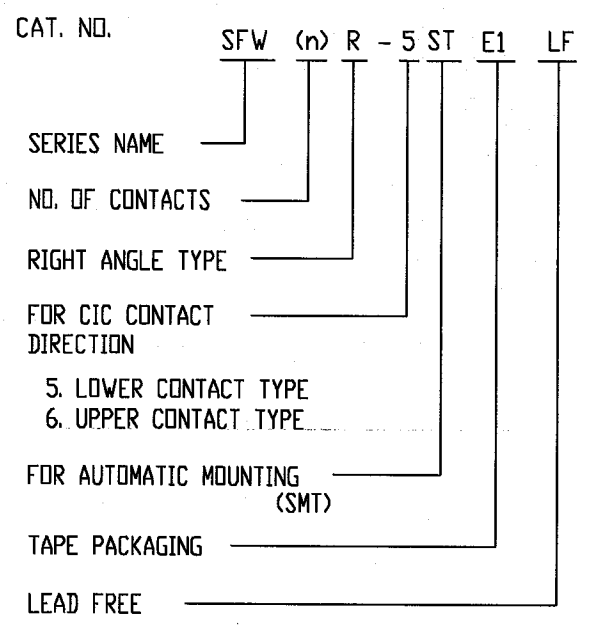


SHEET INDEX	ISSUE	AC													TITLE 1mm SPACING SMT CONNECTOR (Cat. No. SFW__R-6ST__LF)											
	SH NO.	1															PRODUCT FAMILY	58LF	CODE JP							
LINEAR	TOLERANCES UNLESS OTHERWISE SPECIFIED		±0.2	DR	DATE		CUSTOMER COPY	THIRD ANGLE PROJ.					UNIT		MM	INCH	SCALE	SIZE	DWG. NO.	REV	SHEET					
	DR			12/21/05			PRODUCT FAMILY						58LF	CODE JP												
	ENGR			12/21/05			PRODUCT FAMILY						58LF	CODE JP												
APPD			11/1/05			PRODUCT FAMILY		58LF	CODE JP																	
DO NOT SCALE PRINT		THIS INFORMATION IS CONFIDENTIAL AND IS DISCLOSED TO YOU ON CONDITION THAT NO FURTHER DISCLOSURE IS MADE BY YOU TO OTHER THAN FCI PERSONNEL WITHOUT WRITTEN AUTHORIZATION FROM FCI JAPAN KK.										SCALE	SIZE	DWG. NO.	REV	SHEET										
DF-140A REV A												∞	A	JSA 95868	AC	1 OF 1										
SC-SFW12 JSA95866																										

REVISIONS				
REV	DESCRIPTION	ECN	BY	DATE
AA	Changed CAT.NO.	J05-0055	H.T.	2/4/05

CAT. NO. & DIMENSIONS

NO. OF CONTACTS (n)	CAT. NO. (NOTE2)	DIMENSIONS (NOTE3)		
		E ± 5	F ± 0.3	G ± 0.1
4	SFW4R-5/6STE1LF	20.4	16	—
5	SFW5R-5/6STE1LF	28.4	24	—
6	SFW6R-5/6STE1LF	28.4	24	—
7	SFW7R-5/6STE1LF	28.4	24	—
8	SFW8R-5/6STE1LF	28.4	24	—
9	SFW9R-5/6STE1LF	28.4	24	—
10	SFW10R-5/6STE1LF	28.4	24	—
11	SFW11R-5/6STE1LF	28.4	24	—
12	SFW12R-5/6STE1LF	28.4	24	—
13	SFW13R-5/6STE1LF	36.4	32	28.4
14	SFW14R-5/6STE1LF	36.4	32	28.4
15	SFW15R-5/6STE1LF	36.4	32	28.4
16	SFW16R-5/6STE1LF	36.4	32	28.4
17	SFW17R-5/6STE1LF	48.4	44	40.4
18	SFW18R-5/6STE1LF	48.4	44	40.4
19	SFW19R-5/6STE1LF	48.4	44	40.4
20	SFW20R-5/6STE1LF	48.4	44	40.4
21	SFW21R-5/6STE1LF	48.4	44	40.4
22	SFW22R-5/6STE1LF	48.4	44	40.4
23	SFW23R-5/6STE1LF	48.4	44	40.4
24	SFW24R-5/6STE1LF	48.4	44	40.4
25	SFW25R-5/6STE1LF	48.4	44	40.4
26	SFW26R-5/6STE1LF	48.4	44	40.4
27	SFW27R-5/6STE1LF	48.4	44	40.4
28	SFW28R-5/6STE1LF	60.4	56	52.4
29	SFW29R-5/6STE1LF	60.4	56	52.4
30	SFW30R-5/6STE1LF	60.4	56	52.4



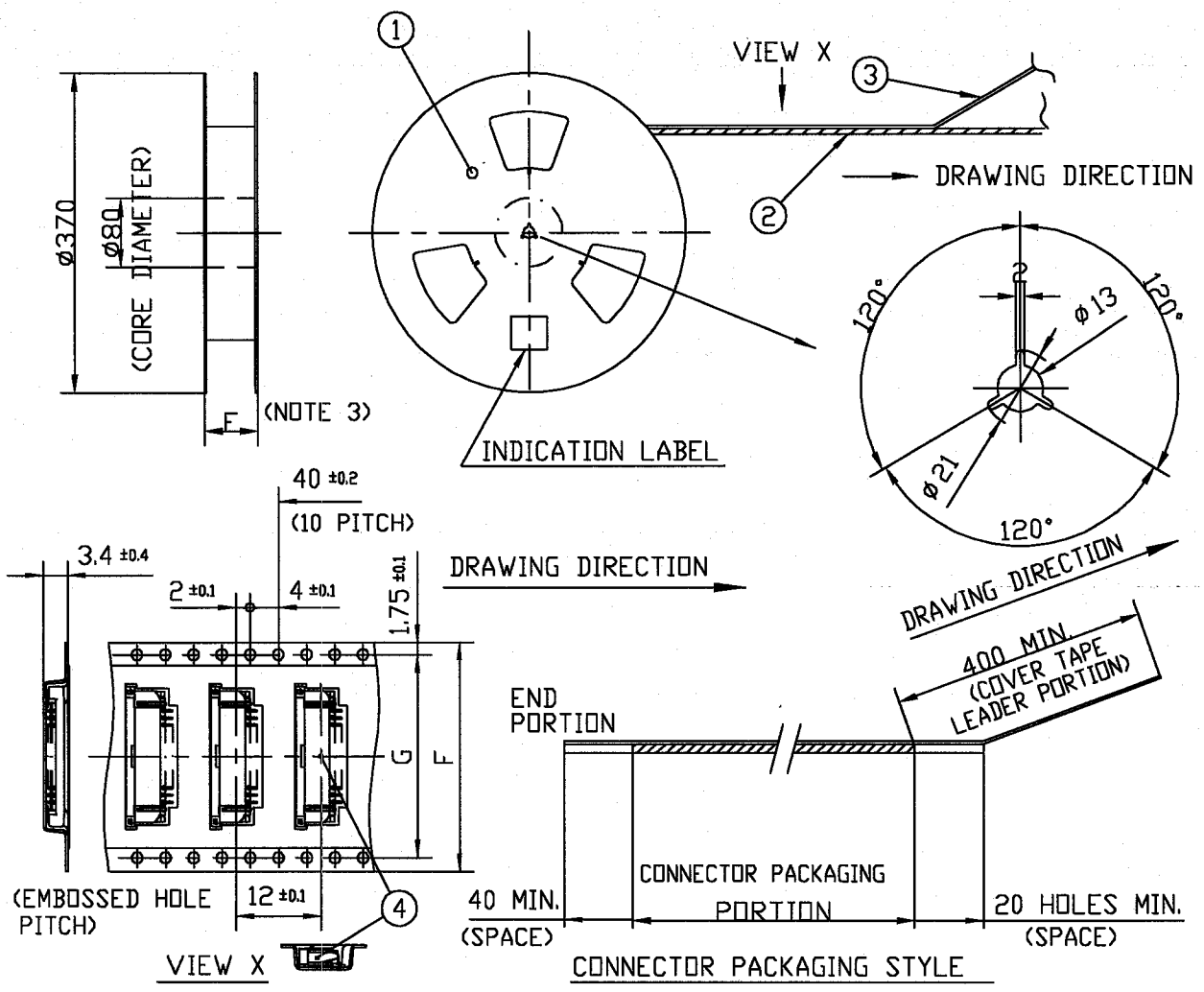
NOTES

1. THIS PRODUCT IS THE CONNECTOR USED FOR CIC AND COPEs WITH AUTOMATIC MOUNTING (SMT).
2. THIS CATALOG NO. INDICATES PLASTIC TAPE PACKAGED CONNECTOR.
3. SEE PART DRAWINGS FOR DIMENSIONS E~G.

SHEET INDEX	ISSUE	AA																		
	SH NO.	1																		
TOLERANCES UNLESS OTHERWISE SPECIFIED		DR		DATE		CUSTOMER COPY		TITLE												
		M. MIZUTANI		2/4/05				CAT. NO. TABLE FOR PLASTIC TAPE PACKAGED 1mm SPACING SMT CONNECTOR (CAT.NO. SFW_R-5/6STE1LF)												
LINEAR	ENGR		DATE		THIRD ANGLE PROJ															
	H. Takahashi		2/7/05		⊕															
ANGLES	CHK		DATE		UNIT		PRODUCT FAMILY													
	H. Takahashi		2/7/05		MM		58JF													
APPD		DATE		UNIT		SCALE		SIZE		DWG. NO.		REV		SHEET						
M. Hasegawa		2/17/05		INCH		X		A		JSA 95869		AA		1 OF 1						
DO NOT SCALE PRINT THIS INFORMATION IS CONFIDENTIAL AND IS DISCLOSED TO YOU ON CONDITION THAT NO FURTHER DISCLOSURE IS MADE BY YOU TO OTHER THAN FCI PERSONNEL WITHOUT WRITTEN AUTHORIZATION FROM FCI JAPAN KK.																				

TOLERANCES  
UNLESS OTHERWISE SPECIFIED?±5, ANGLE ±5 °

REVISIONS				
REV	DESCRIPTION	ECN	BY	DATE
AA	Changed CAT.NO.	J05-0055	H.T.	2/4/05



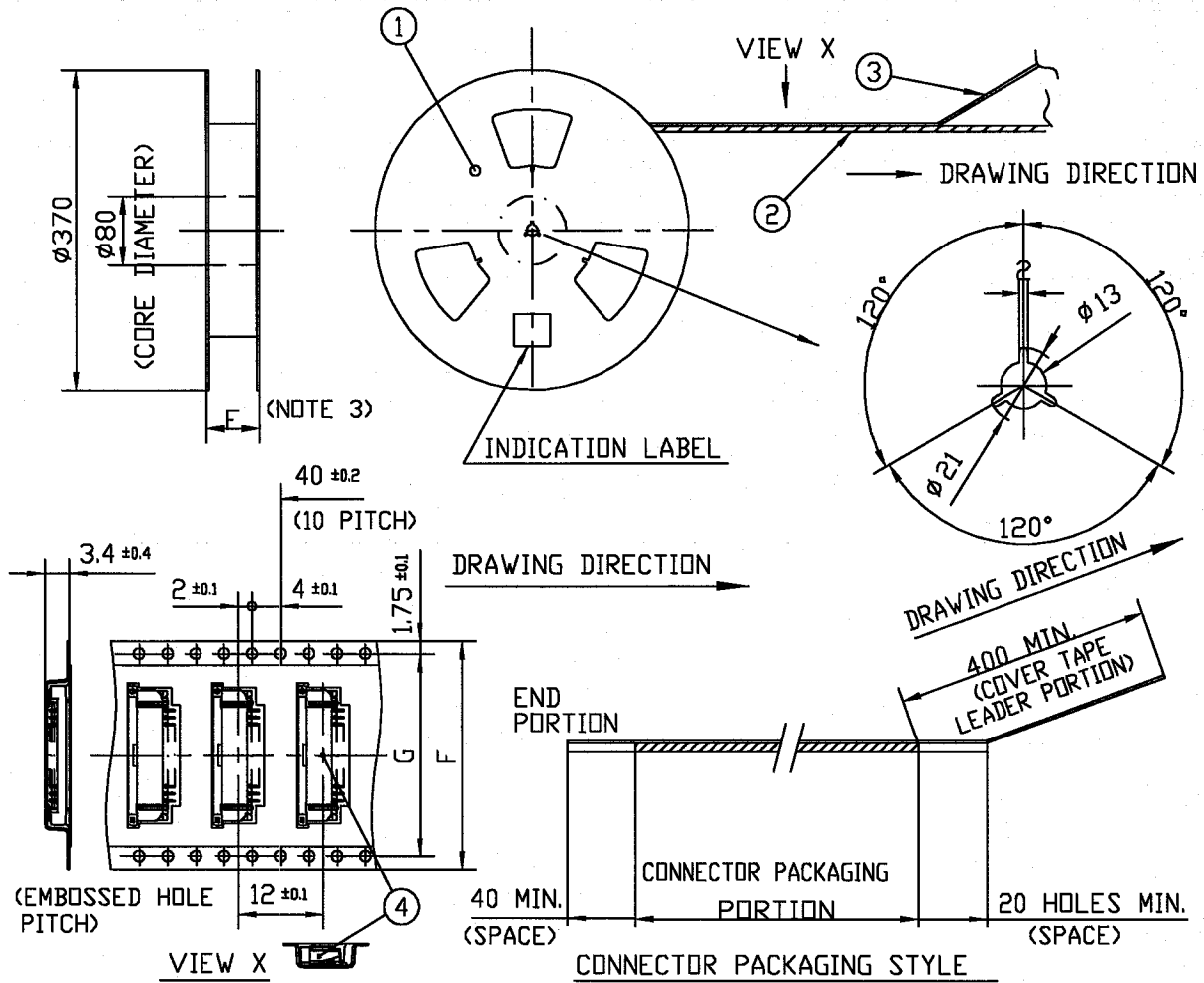
PT. NO.	PARTS NAME	CAT. NO.	MATERIAL	Q'TY	NOTE
1	REEL	—	CARDBOARD	1	COLOR:WHITE
2	PLASTIC (EMBOSS) TAPE	—	PET	—	COLOR:TRANSPARENCY
3	COVER	—	POLYESTER	—	COLOR:TRANSPARENCY
4	CONNECTOR	SFW_R-5ST_LF	SEE ATTACHED DWG	2000	LOWER CONTACT TYPE

- NOTES
1. THIS IS PLASTIC TAPE PACKAGED CONNECTOR USED FOR CIC AND COPEs WITH AUTOMATIC MOUNTING (SMT).
  2. SEE JIS C 0806 (PACKING OF ELECTRONIC COMPONENTS ON CONTINUOUS TAPES (SURFACE MOUNTING DEVICES)) FOR SHAPE AND DIMENSIONS OF PLASTIC (EMBOSS) TAPE AND REEL.
  3. E DIMENSION IS PORTION OF THE CORE.

SHEET INDEX	ISSUE	AA								<b>A</b> <b>FCI</b>					
	SH NO.	1													
TOLERANCES UNLESS OTHERWISE SPECIFIED		DR	M. MIZUTANI	DATE	2/4/05	CUSTOMER COPY	TITLE PLASTIC TAPE PACKAGED 1mm SPACING SMT CONNECTOR (CAT. NO. SFW_R-5STE1LF)								
LINEAR		ENGR	<i>H. Takahara</i>	DATE	2/7/05	THIRD ANGLE PROJ									
ANGLES		CHK	<i>H. Takahara</i>	DATE	2/7/05	UNIT	MM	PRODUCT FAMILY	58JF	CODE JP					
DO NOT SCALE PRINT		THIS INFORMATION IS CONFIDENTIAL AND IS DISCLOSED TO YOU ON CONDITION THAT NO FURTHER DISCLOSURE IS MADE BY YOU TO OTHER THAN FCI PERSONNEL WITHOUT WRITTEN AUTHORIZATION FROM FCI JAPAN K.K.				SCALE	χ	SIZE	A	DWG. NO.	JSA 95870	REV	AA	SHEET	1 OF 1

TOLERANCES  
UNLESS OTHERWISE SPECIFIED: ±0.1, ANGLE ±5°

REVISIONS				
REV	DESCRIPTION	ECN	BY	DATE
AA	Changed CAT.NO.	J05-0055	H.T.	2/4/'05



PT. NO.	PARTS NAME	CAT. NO.	MATERIAL	Q'TY	NOTE
1	REEL	—	CARDBOARD	1	COLOR:WHITE
2	PLASTIC (EMBOSS) TAPE	—	PET	—	COLOR:TRANSPARENCY
3	COVER	—	POLYESTER	—	COLOR:TRANSPARENCY
4	CONNECTOR	SFW_R-6ST_LF	SEE ATTACHED DWG	2000	UPPER CONTACT TYPE

NOTES

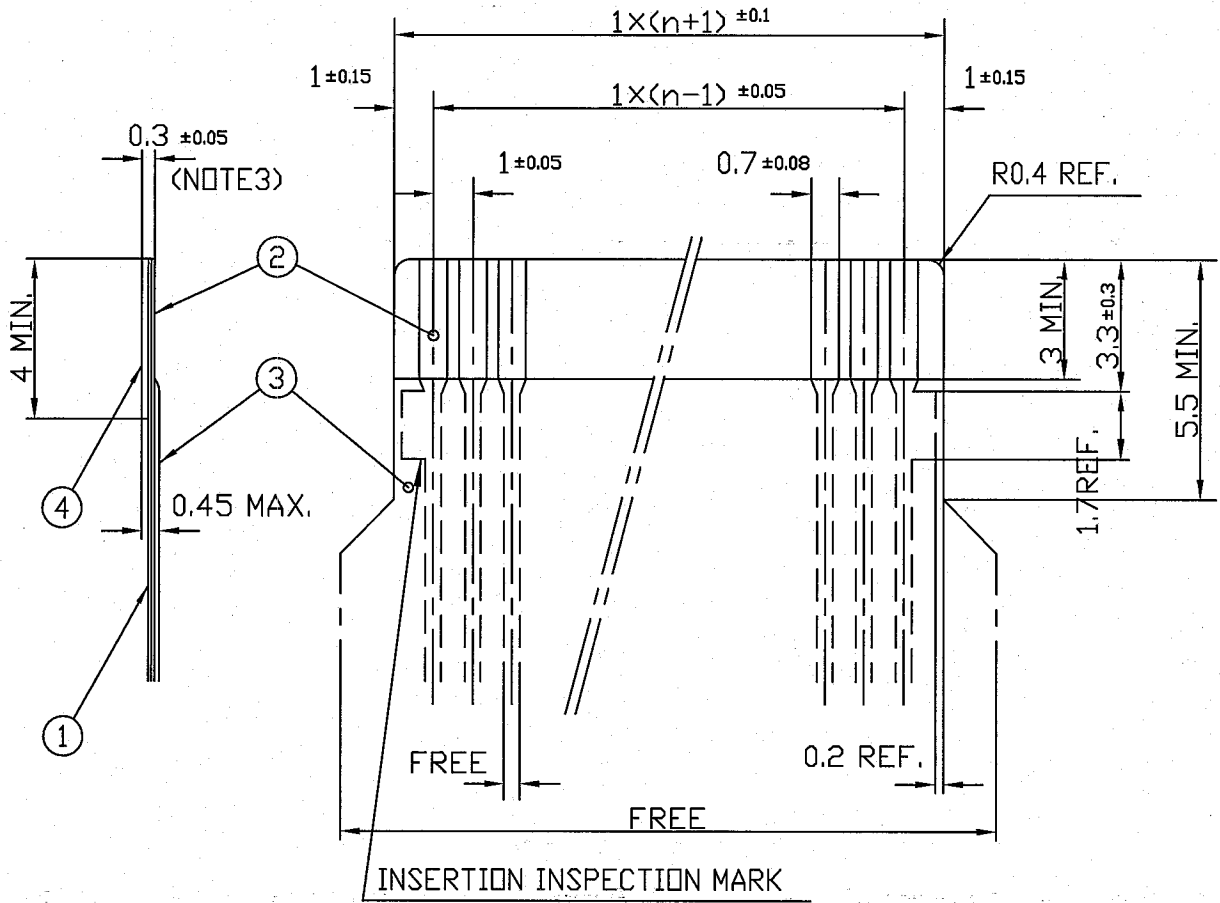
- THIS IS PLASTIC TAPE PACKAGED CONNECTOR USED FOR CIC AND COPES WITH AUTOMATIC MOUNTING (SMT).
- SEE JIS C 0806 (PACKING OF ELECTRONIC COMPONENTS ON CONTINUOUS TAPES (SURFACE MOUNTING DEVICES)) FOR SHAPE AND DIMENSIONS OF PLASTIC (EMBOSS) TAPE AND REEL.
- E DIMENSION IS PORTION OF THE CORE.

SHEET INDEX	ISSUE	AA								<b>A</b> <b>FCI</b>		
	SH NO.	1										
TOLERANCES UNLESS OTHERWISE SPECIFIED		DR	M. MIZUTANI	DATE	2/4/'05	CUSTOMER COPY		TITLE PLASTIC TAPE PACKAGED 1mm SPACING SMT CONNECTOR (CAT.NO. SFW_R-6STE1LF)				
LINEAR		ENGR	<i>H. Taketani</i>		2/1/05	THIRD ANGLE PROJ						
		CHK	<i>H. Taketani</i>		2/1/05							
ANGLES		APP'D	<i>M. Mizutani</i>		2/17/05	UNIT		MM	INCH	PRODUCT FAMILY	58JF	CODE JP
DO NOT SCALE PRINT		THIS INFORMATION IS CONFIDENTIAL AND IS DISCLOSED TO YOU ON CONDITION THAT NO FURTHER DISCLOSURE IS MADE BY YOU TO OTHER THAN FCI PERSONNEL WITHOUT WRITTEN AUTHORIZATION FROM FCI JAPAN K.K.						SCALE	SIZE	DWG. NO.	REV	SHEET
DF-140A REV A								×	A	JSA 95871	AA	1 OF 1

RECOMMENDED CABLE (CIC)

REVISIONS				
REV	DESCRIPTION	ECN	BY	DATE
1	Insertion inspection mark added.			4/12/93
AA	Changed form.	J05-0055	H.T	2/4/05

n : NO. OF CONDUCTOR



PT. NO.	PARTS NAME	MATERIAL	THICKNESS (μm)	
1	BASE FILM	POLYESTER OR EQUAL	75	25
2	CONDUCTOR	CARBON PASTE OVER SILVER PASTE	10 MIN.	
3	OVERLAY	POLYIMIDE OR POLYESTER OR EQUAL	—	
4	SUPPORTING TAPE	POLYESTER OR POLYIMIDE OR EQUAL	188	250

- NOTES
1. NO BURR AT EACH PORTION.
  2. NO PEELING IN COMMON USE.
  3. TOTAL THICKNESS LIMIT OF EACH MATERIAL (INCLUDING ADHESIVE AGENT) IS SPECIFIED.

SHEET INDEX	ISSUE	AA																																	
	SH NO.	1																																	
TOLERANCES UNLESS OTHERWISE SPECIFIED		DR	A. KOBAYASHI		DATE	2/4/05		CUSTOMER COPY	TITLE RECOMMENDED CABLE (Cat. No. SFW__R-5/6__) PRODUCT FAMILY CODE JP																										
LINEAR		ENGR	<i>H. Takahashi</i>		DATE	2/7/05		THIRD ANGLE PROJ																											
ANGLES		CHK	<i>H. Takahashi</i>		DATE	2/7/05		UNIT	MM																										
DO NOT SCALE PRINT		APPD	<i>M. Sawada</i>		DATE	2/7/05		UNIT	INCH	SCALE	A	SIZE	JSA 91675	DWG. NO.	REV	AA	SHEET	DF																	
DF-140A REV A																		THIS INFORMATION IS CONFIDENTIAL AND IS DISCLOSED TO YOU ON CONDITION THAT NO FURTHER DISCLOSURE IS MADE BY YOU TO OTHER THAN FCI PERSONNEL WITHOUT WRITTEN AUTHORIZATION FROM FCI JAPAN K.K.																	